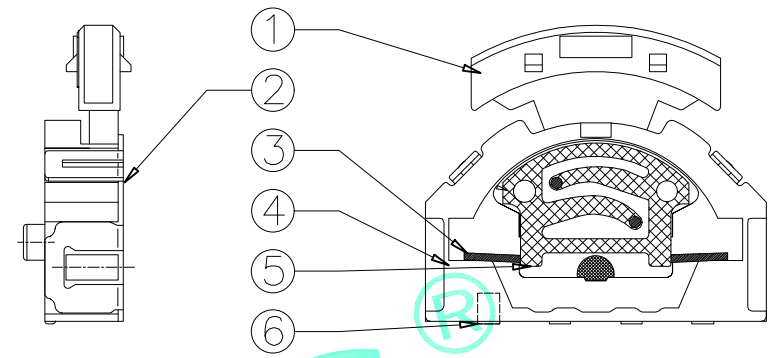
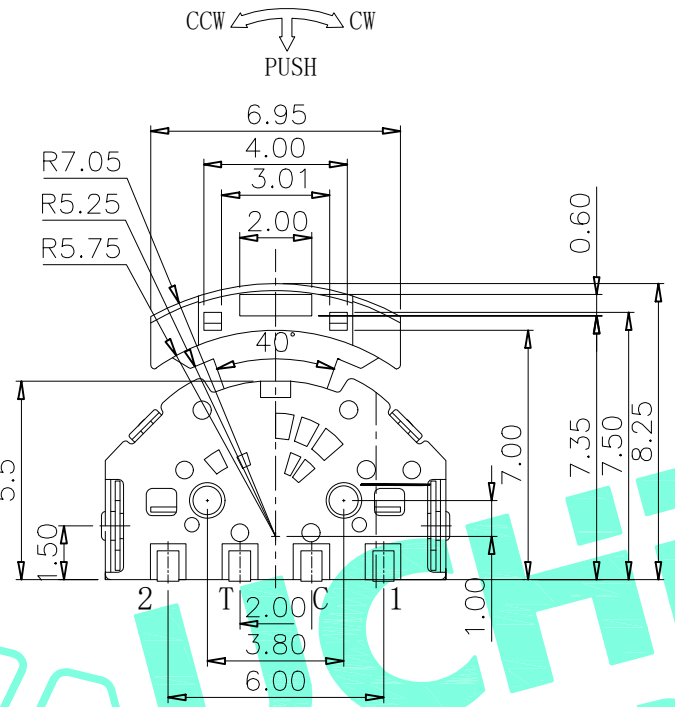
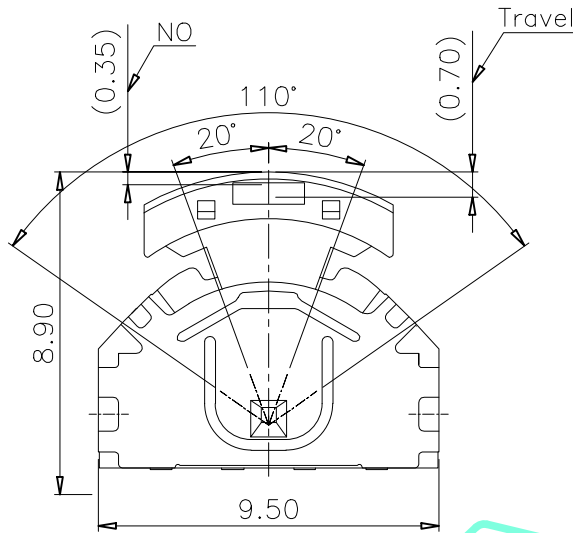


RoHS Compliant

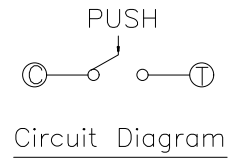
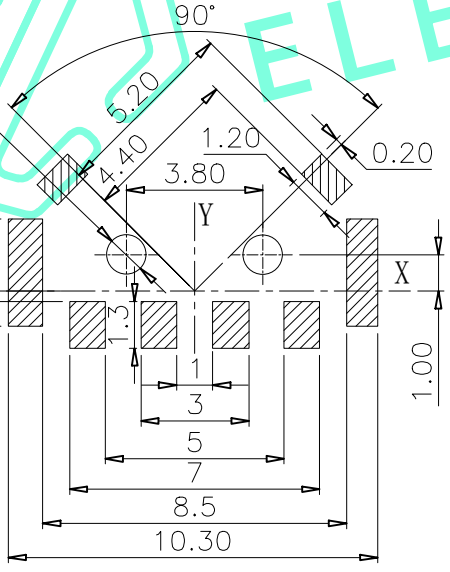
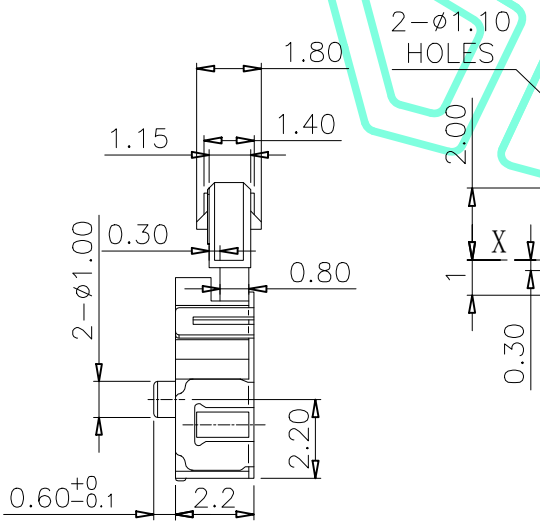
REV. A/0	DESCRIPTION NEW	DESIGN CWF	DATE
----------	-----------------	------------	------



TER	ANG. (20°)	(15°)	0° (NO)	(15°)	(20°)
①					
②					
③					

CODE TABLE

NOTE:  
 Operating Force:  
 lever portion  $70 \pm 40$  gf  
 Push portion  $250 \pm 40$  gf  
 Travel:  $-25^\circ$   $0^\circ$   $+25^\circ$  Pushportion  $0.7 \pm 0.1$ mm



ITEM	PART NAME	QTY.	MATERIAL	FINISHING
⑥	Contact	1	F.Ag/Brass	Plating silver
⑤	Terminal	4	Brass(0.15t)	Plating silver
④	Base	1	Nylon	Black
③	Spring	1	SUS	Natural
②	Cover	1	SUS	Natural
①	Keystoke	1	Nylon	Black

THESE DRAWINGS AND SPECIFICATIONS ARE THE PROPERTY OF SHENZHEN YUCHENG ELECTRONICS, LTD. AND SHALL NOT BE REPRODUCED, COPIED OR USED IN ANY MANNER WITHOUT THE PRIOR WRITTEN CONSENT OF SHENZHEN YUCHENG ELECTRONICS, LTD.

APPROVED: WEI JIE  
 CHECKED: HONG JIN YUN  
 DRAWING: CHEN YA

**UCHENG** 深圳市裕诚电子有限公司  
 ELECTRONICS SHENZHEN YUCHENG ELECTRONICS CO.,LTD

GENERAL TOLERANCES	TITLE:	MULTIFUNCTION SWITCH
30~以上 ±0.30	PART NO.:	M1-5369G
10~30 ±0.20	WEBSITE:	www.ycelectron.com
5~10 ±0.15	REV: A	UNIT: mm SCALE: / SHEET: A4
~ 5 ±0.10	SHEET: 1 / 1	