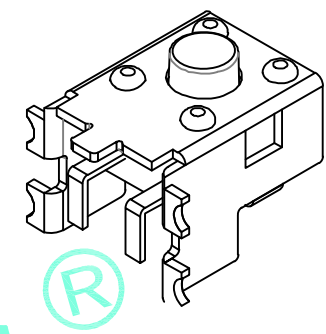
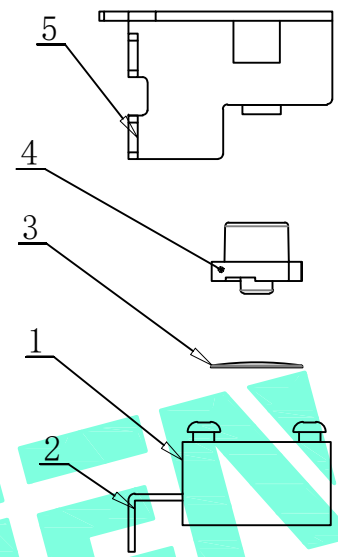
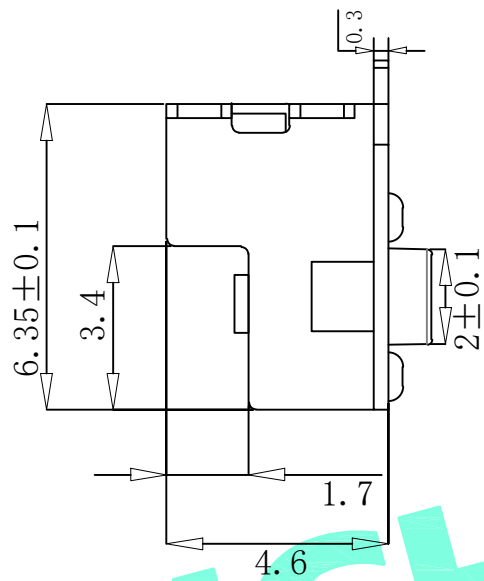
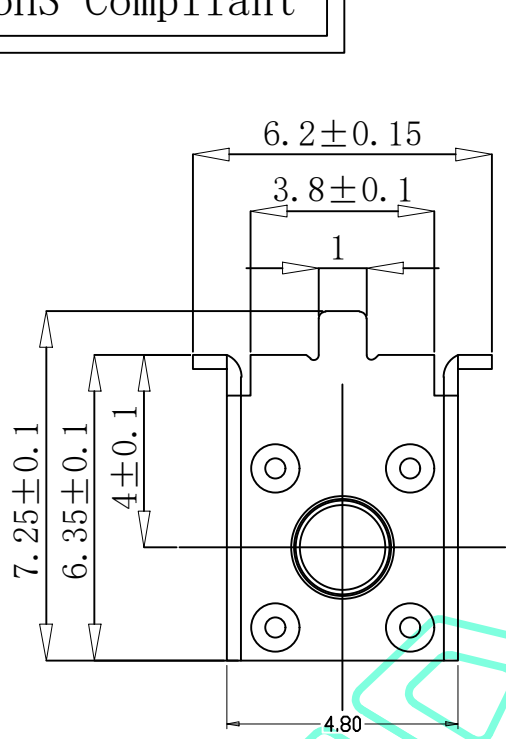


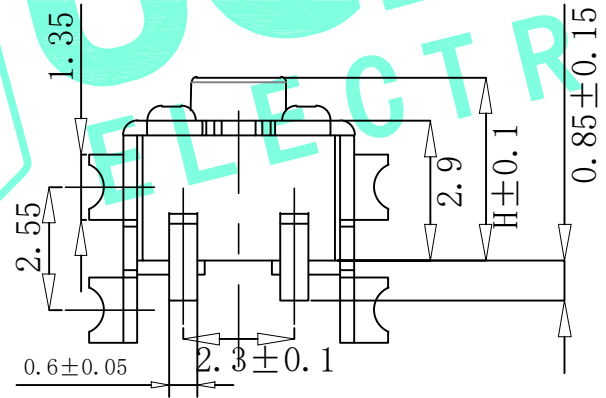
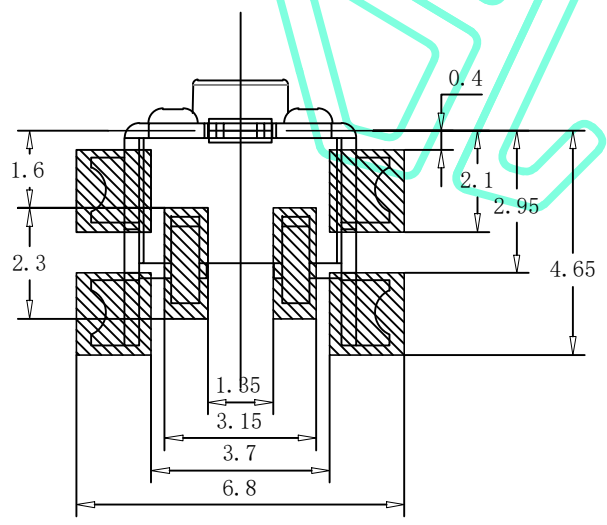
RoHS Compliant

REV. A/0	DESCRIPTION NEW	DESIGN CWF	DATE
----------	-----------------	------------	------



技术参数

1. 额定电流: 50mA 12V DC
2. 接触电阻: 100毫欧
3. 按力: 160 30gf/260± ±50gf
4. 行程: 0.2 ±0.1mm
5. 绝缘电阻: 100兆欧
6. 抗电强度: 100V 50Hz 1Min
7. 寿命: 50, 000次



NO.1	
PART NO	vigor
1	3.8
2	4.3
3	4.5
4	5
5	5.5

NO.2	
PART NO	vigor
1	90±30
2	130±30
3	180±30
4	250±30
5	350±50

ITEM	PART NAME	QTY.	MATERIAL	FINISHING
⑤	Terminal	2	Brass(0.20t)	Plating silver
④	Keystoke	1	PPA	Black
③	Contact	2	F.Ag/SUS	—
②	Cover	1	Brass(0.30t)	Plating silver
①	Base	1	PPA	Black

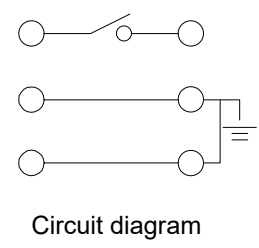
THESE DRAWINGS AND SPECIFICATIONS ARE THE PROPERTY OF SHENZHEN YUCHENG ELECTRONICS.,LTD.AND SHALL NOT BE REPRODUCED,COPIED OR USED IN ANY MANNER WITHOUT THE PRIOR WRITTEN CONSENT OF SHENZHEN YUCHENG ELECTRONICS.,LTD

APPROVED: WEI JIE  
 CHECKED: HONG JIN YUN  
 DRAWING: CHEN YA

**UCHENG** 深圳市裕诚电子有限公司  
 ELECTRONICS SHENZHEN YUCHENG ELECTRONICS CO.,LTD

GENERAL TOLERANCES  
 30~以上 ±0.30  
 10~30 ±0.20  
 5~10 ±0.15  
 ~ 5 ±0.10

TITLE: TACT SWITCH  
 PART NO: M2-3990A-NO.1/2  
 WEBSITE: www.ycelectron.com  
 REV: A UNIT: mm SCALE: / SHEET: A4



PCB Layout(Pattern side)