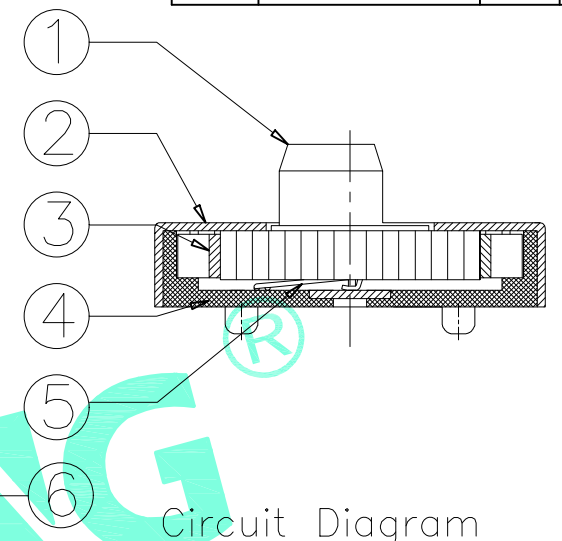
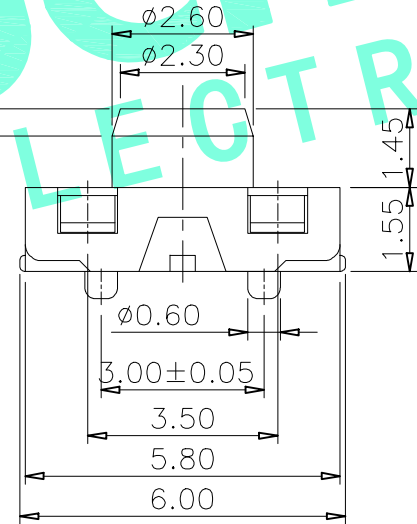
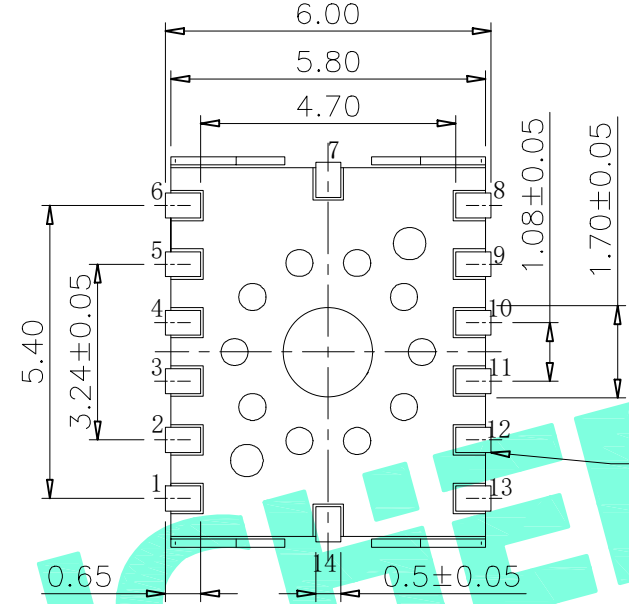
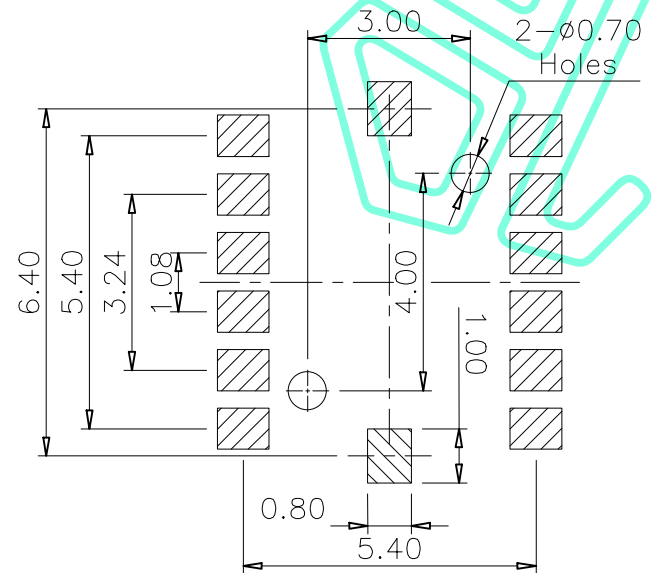
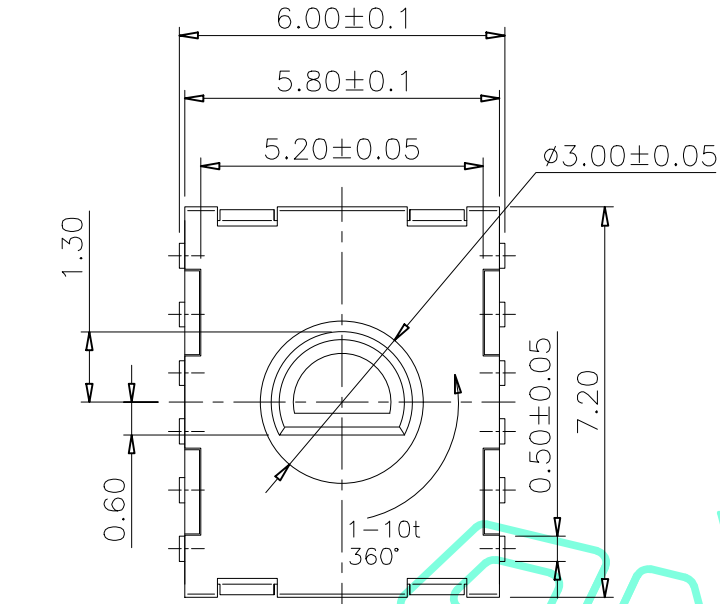


RoHS Compliant

| | | | |
|----------|-----------------|------------|------|
| REV. A/0 | DESCRIPTION NEW | DESIGN CWF | DATE |
|----------|-----------------|------------|------|



Circuit Diagram

| | 1 | 2 | 3 | 4 | 5 | 6 | 7 | 8 | 9 | 10 | 11 | 12 | 13 | 14 |
|----|---|---|---|---|---|---|---|---|---|----|----|----|----|----|
| 1 | ○ | | | | | | | | | | | | | ○ |
| 2 | | ○ | | | | | | | | | | | | ○ |
| 3 | | | ○ | | | | | | | | | | | ○ |
| 4 | | | | ○ | | | | | | | | | | ○ |
| 5 | | | | | ○ | | | | | | | | | ○ |
| 6 | | | | | | ○ | | | | | | | | ○ |
| 7 | | | | | | | ○ | | | | | | | ○ |
| 8 | | | | | | | | ○ | | | | | | ○ |
| 9 | | | | | | | | | ○ | | | | | ○ |
| 10 | | | | | | | | | | ○ | | | | ○ |

| ITEM | PART NAME | QTY. | MATERIAL | FINISHING |
|------|--------------|------|--------------|----------------|
| ⑥ | Terminal | 14 | Brass(0.15t) | Plating silver |
| ⑤ | Contact | 1 | F.Ag/Brass | Plating silver |
| ④ | Base | 1 | Nylon | Black |
| ③ | Spring plate | 1 | SUS | Natural |
| ② | Cover | 1 | SUS | Natural |
| ① | Keystoke | 1 | Nylon | Black |

THESE DRAWINGS AND SPECIFICATIONS ARE THE PROPERTY OF SHENZHEN YUCHENG ELECTRONICS,LTD.AND SHALL NOT BE REPRODUCED,COPIED OR USED IN ANY MANNER WITHOUT THE PRIOR WRITTEN CONSENT OF SHENZHEN YUCHENG ELECTRONICS,LTD

YUCHENG ELECTRONICS 深圳市裕诚电子有限公司
SHENZHEN YUCHENG ELECTRONICS CO.,LTD

APPROVED: WEI JIE
CHECKED: HONG JIN YUN
DRAWING: CHEN YA

| | | | | |
|--------------------|--------------|----------------------|----------|-----------|
| GENERAL TOLERANCES | TITLE: | MULTIFUNCTION SWITCH | | |
| 30~以上 ±0.30 | PART NO: | M1-5221S | | |
| 10~30 ±0.20 | WEBSITE: | www.ycelectron.com | | |
| 5~10 ±0.15 | REV: A | UNIT: mm | SCALE: / | SHEET: A4 |
| ~ 5 ±0.10 | SHEET: 1 / 1 | | | |

P.C.B Mounting Pattern Dimension

NOTE:
Operating Force: 180±50 gf