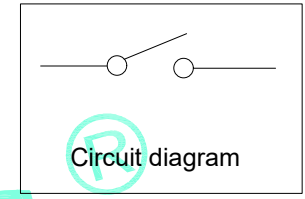
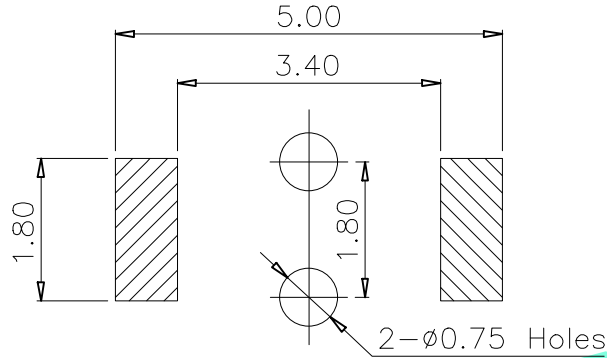
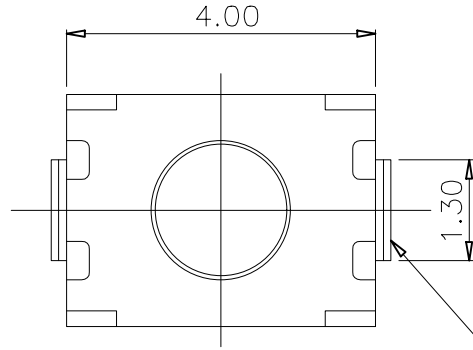


RoHS Compliant

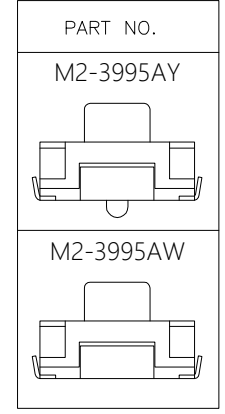
REV. A/0	DESCRIPTION NEW	DESIGN CWF	DATE
----------	-----------------	------------	------



PCB Layout

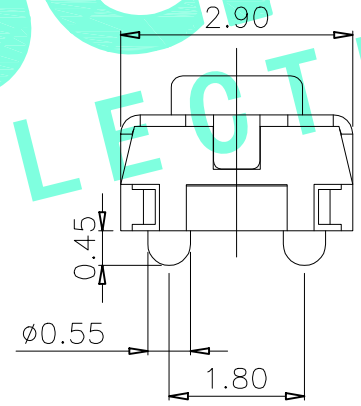
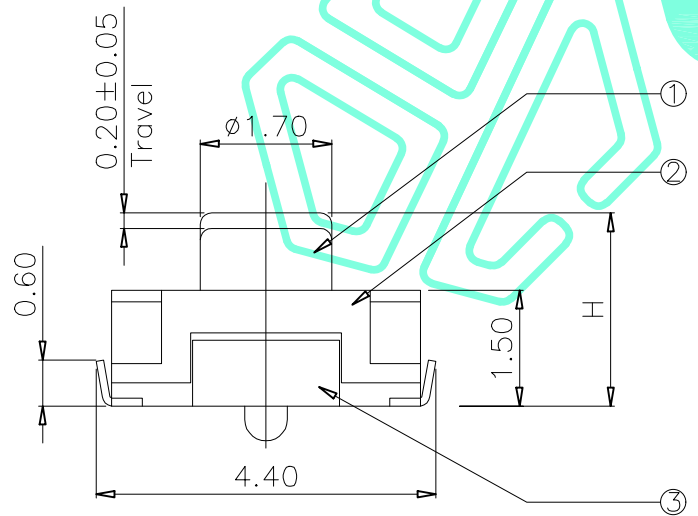
NO.1

PART NO	H
A	2.0
B	2.5



NO.2

PART NO	VIGOR
1	90±30
3	180±30
4	250±30



ITEM	PART NAME	QTY.	MATERIAL	FINISHING
⑥	Dust cover	1	KAPTON FILM	Yellow
⑤	Terminal	2	Phosphor Bronze	Plating silver
④	Contact	2	F.Ag/SUS	—
③	Base	1	Nylon	Black
②	Cover	1	SUS	Natural
①	Keystoke	1	Nylon	Black

THESE DRAWINGS AND SPECIFICATIONS ARE THE PROPERTY OF SHENZHEN YUCHENG ELECTRONICS,LTD.AND SHALL NOT BE REPRODUCED,COPIED OR USED IN ANY MANNER WITHOUT THE PRIOR WRITTEN CONSENT OF SHENZHEN YUCHENG ELECTRONICS,LTD

UCHENG ELECTRONICS 深圳市裕诚电子有限公司
SHENZHEN YUCHENG ELECTRONICS CO.,LTD

APPROVED:	WEI JIE	TITLE:	TACT SWITCH
CHECKED:	HONG JIN YUN	PART NO.:	M2-3995A-NO.1/2
DRAWING:	CHEN YA	WEBSITE :	www.ycelectron.com
GENERAL TOLERANCES		REV: A	UNIT: mm
30~以上	±0.30		SCALE: /
10~30	±0.20		SHEET: A4
5~10	±0.15		
~ 5	±0.10		
SHEET:	1 / 1		

