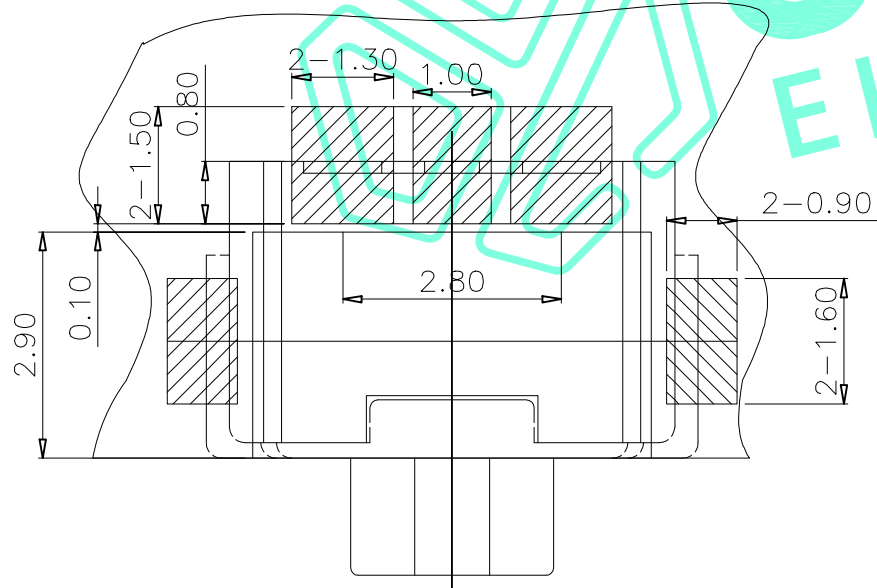
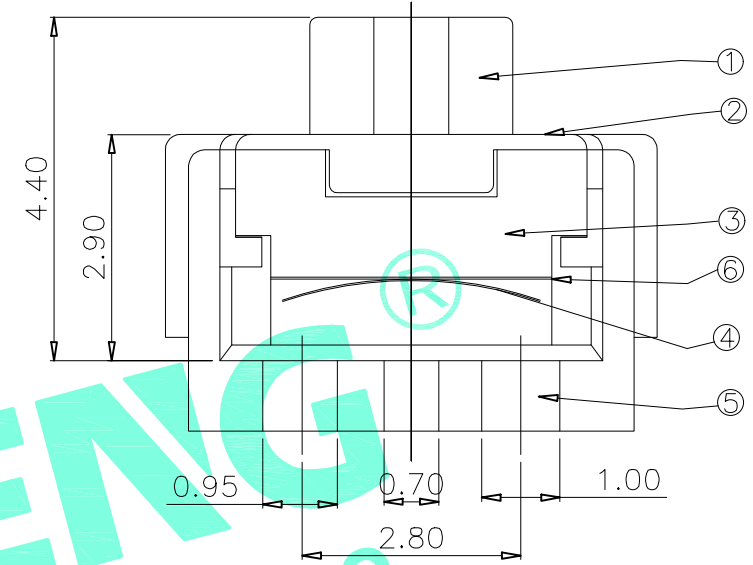
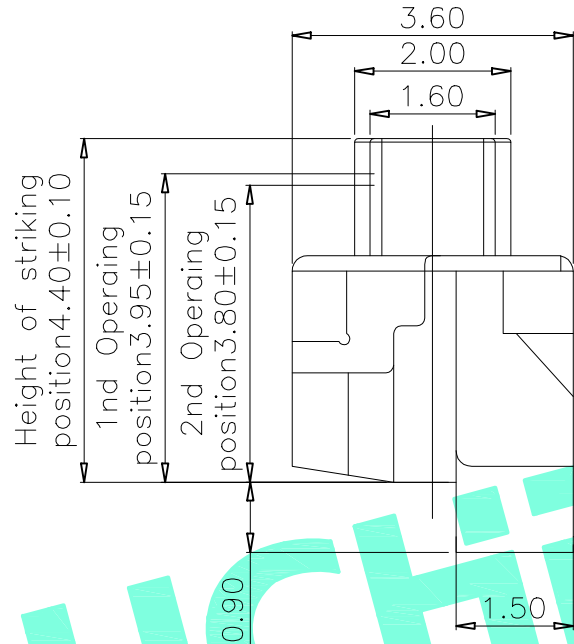
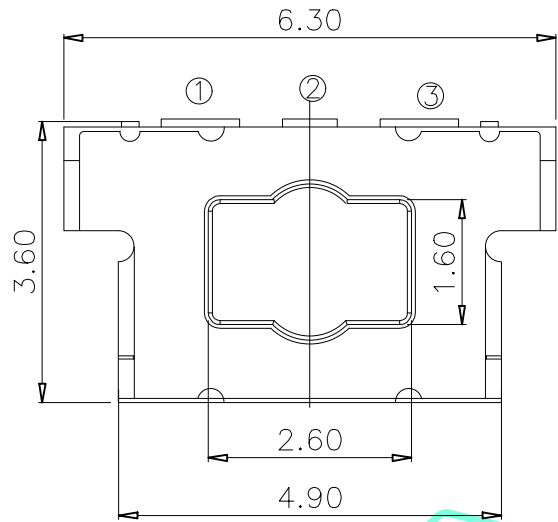


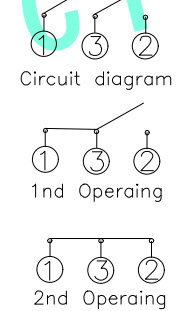
RoHS Compliant

REV. A/0	DESCRIPTION NEW	DESIGN CWF	DATE
-------------	--------------------	---------------	------



PCB Layout(Pattern side)

- Typical Specifications :
1. Rating : DC 12V 50mA
 2. Operating force: 1st 60±30gf
2st 250±50gf
 3. Travel: 1st 0.45mm 2st 0.15mm
 4. Life:100,000 Cycles Min.



Circuit diagram

⑦	Silicone shell	1	Silicone	——
⑥	Dust cover	1	KAPTON FILM	——
⑤	Terminal	3	Phosphor Bronze	Plating silver
④	Contact	1	F.Ag/SUS	——
③	Base	1	LCP	Black
②	Cover	1	SUS	——
①	Keystoke	1	Nylon	WHITE
ITEM	PART NAME	QTY.	MATERIAL	FINISHING

THESE DRAWINGS AND SPECIFICATIONS ARE THE PROPERTY OF SHENZHEN YUCHENG ELECTRONICS,LTD.AND SHALL NOT BE REPRODUCED,COPIED OR USED IN ANY MANNER WITHOUT THE PRIOR WRITTEN CONSENT OF SHENZHEN YUCHENG ELECTRONICS,LTD

APPROVED: WEI JIE
 CHECKED: HONG JIN YUN
 DRAWING: CHEN YA

UCHENG 深圳市裕诚电子有限公司
 ELECTRONICS SHENZHEN YUCHENG ELECTRONICS CO.,LTD

GENERAL TOLERANCES		TITLE:	
30~以上	±0.30	TACT SWITCH	
10~30	±0.20	PART NO:	
5~10	±0.15	M2-3981A	
~ 5	±0.10	WEBSITE :	
SHEET: 1 / 1		www.ycelectron.com	
REV: A	UNIT: mm	SCALE: /	SHEET: A4

