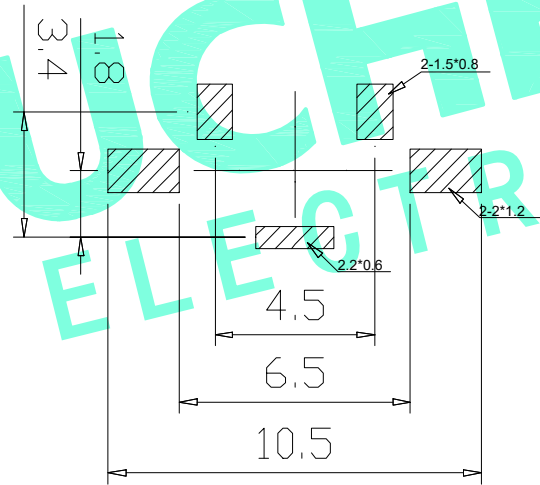
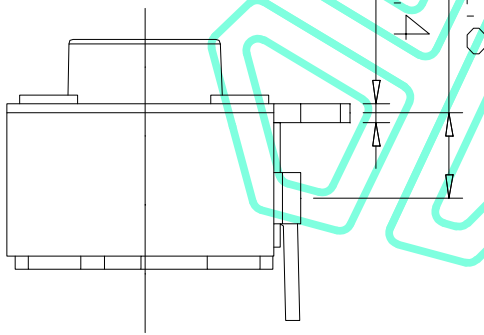
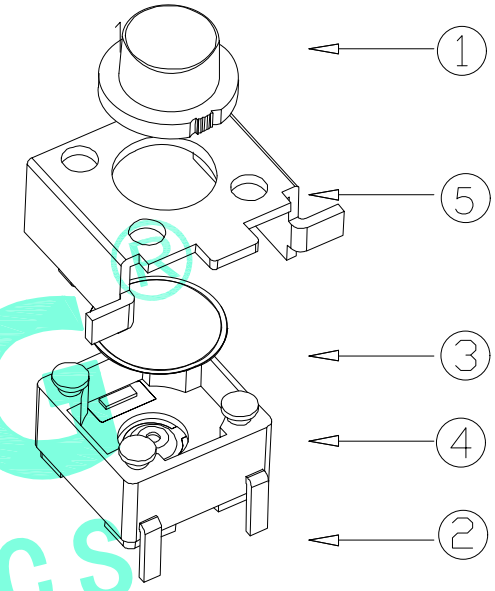
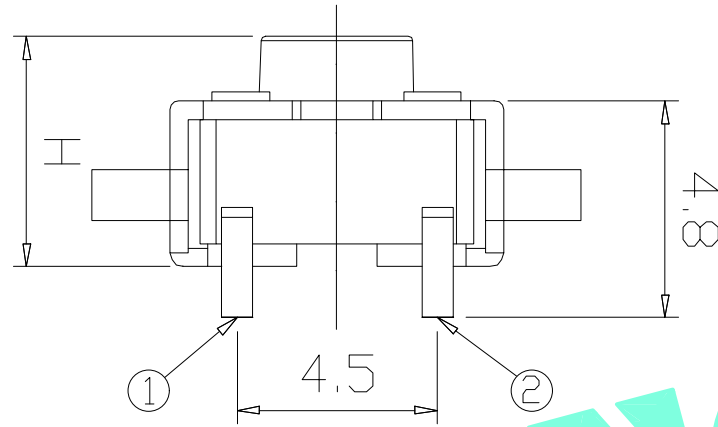
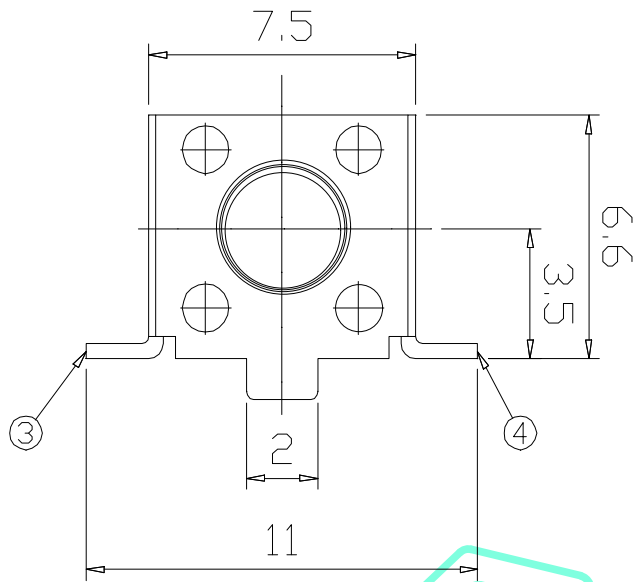


RoHS Compliant

REV. A/0	DESCRIPTION NEW	DESIGN CWF	DATE
----------	-----------------	------------	------

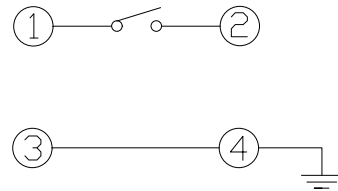
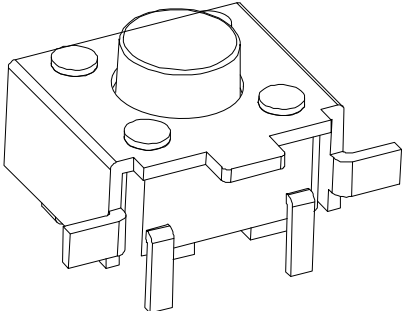


PCB. WELDINGDRAWING

NO.1	
PART NO	H
A	4.3
B	4.5
C	5
D	5.5
E	6
F	6.5
G	7

NO.2	
PART NO	vigor
2	130±30
3	180±30
4	250±50

ITEM	PART NAME	QTY	MATERIAL	FINISHING
⑤	Terminal	2	Brass(0.30t)	Plating silver
④	Base	1	PPA	Black
③	Contact	1	F.Ag/SUS	——
②	Cover	1	SPCC	——
①	Keystoke	1	PPA	Black



Circuit diagram

THESE DRAWINGS AND SPECIFICATIONS ARE THE PROPERTY OF SHENZHEN YUCHENG ELECTRONICS,LTD.AND SHALL NOT BE REPRODUCED,COPIED OR USED IN ANY MANNER WITHOUT THE PRIOR WRITTEN CONSENT OF SHENZHEN YUCHENG ELECTRONICS.,LTD

APPROVED:	WEI JIE
CHECKED:	HONG JIN YUN
DRAWING:	CHEN YA

UCHENG ELECTRONICS 深圳市裕诚电子有限公司
SHENZHEN YUCHENG ELECTRONICS CO.,LTD

GENERAL TOLERANCES	TITLE:	TACT SWITCH		
30~以上 ±0.30	PART NO:	M2-3998A-NO.1/2		
10~30 ±0.20	WEBSITE:	www.ycelectron.com		
5~10 ±0.15	REV: A	UNIT: mm	SCALE: /	SHEET: A4
~ 5 ±0.10	SHEET: 1 / 1			