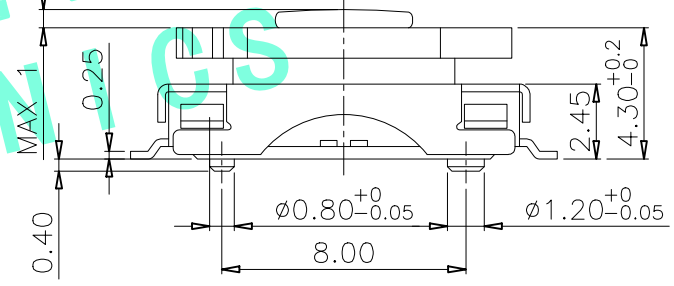
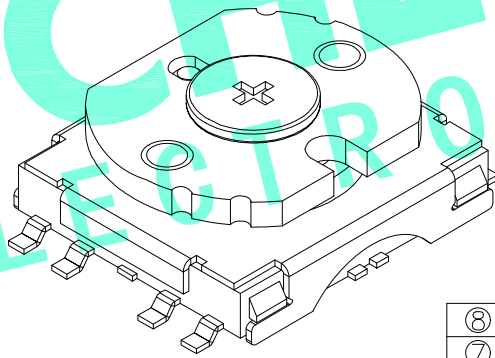
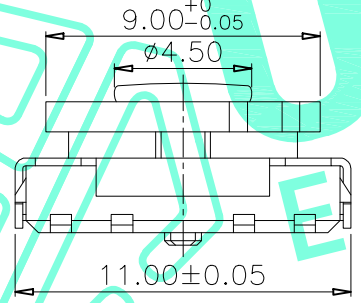
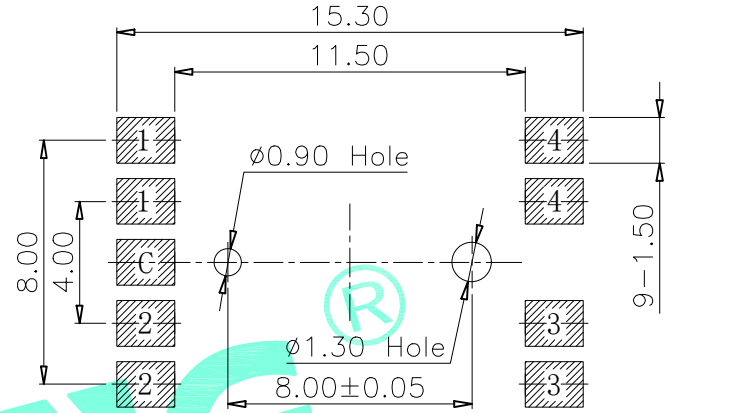
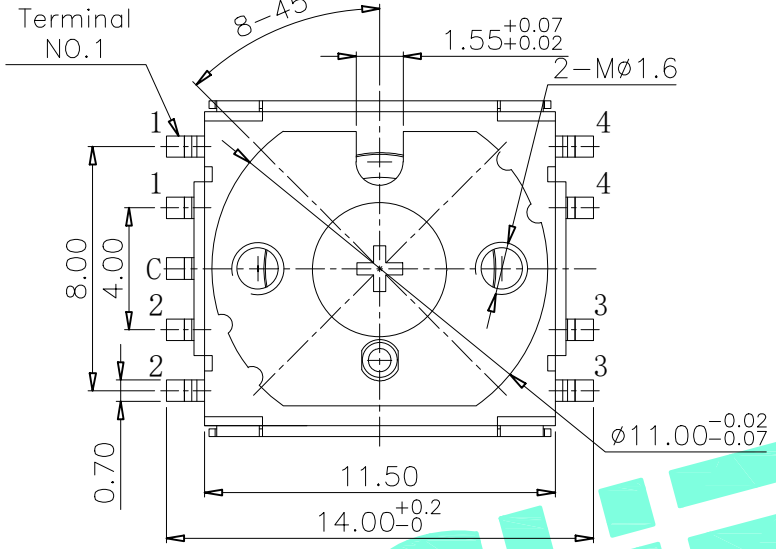
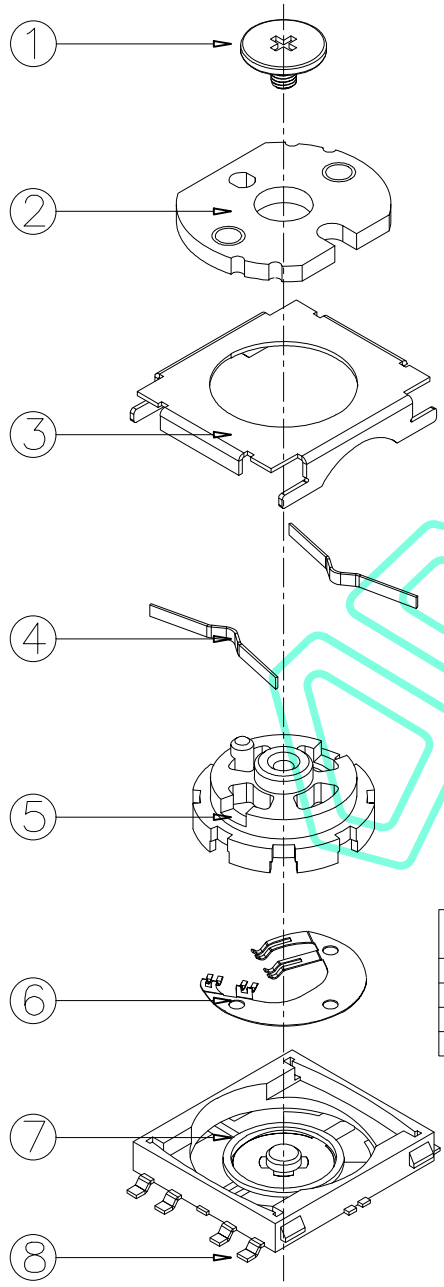
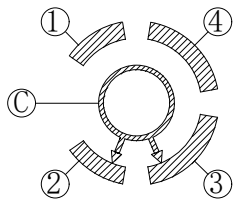


RoHS Compliant

REV. A/0	DESCRIPTION NEW	DESIGN CWF	DATE
----------	-----------------	------------	------



Terminal	Direction							
	1	2	3	4	5	6	7	8
C1								●
C2	●							●
C3	●	●		●				●
C4				●	●			



⑧	Terminal	9	Brass(0.25t)	Plating silver
⑦	Base	1	PPA	Brown
⑥	Contact	1	Brass	Plating silver
⑤	Knob	1	PP66	Black
④	Spring Plate	1	SUS	Natural
③	Cover	1	SUS	Natural
②	Locking Plate	1	SECC	Plating Nickel
①	Bolt	1	H62	Plating Nickel
ITEM	PART NAME	QTY.	MATERIAL	FINISHING

Circuit Diagram

NOTE:
Operating Force:200±20gf

THESE DRAWINGS AND SPECIFICATIONS ARE THE PROPERTY OF SHENZHEN YUCHENG ELECTRONICS.LTD.AND SHALL NOT BE REPRODUCED,COPIED OR USED IN ANY MANNER WITHOUT THE PRIOR WRITTEN CONSENT OF SHENZHEN YUCHENG ELECTRONICS.LTD

APPROVED:	WEI JIE
CHECKED:	HONG JIN YUN
DRAWING:	CHEN YA

YUCHENG 深圳市裕诚电子有限公司
ELECTRONICS SHENZHEN YUCHENG ELECTRONICS CO.,LTD

GENERAL TOLERANCES	TITLE:	MULTIFUNCTION SWITCH		
30~以上 ±0.30	PART NO:	M1-5212D		
10~30 ±0.20	WEBSITE:	www.ycelectron.com		
5~10 ±0.15	REV: A	UNIT: mm	SCALE: /	SHEET: A4
~ 5 ±0.10				
SHEET: 1 / 1				