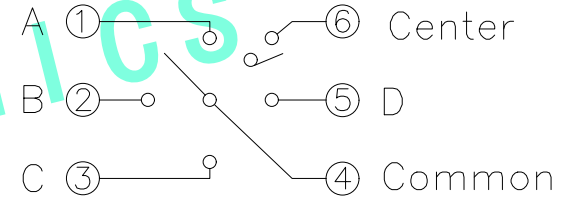
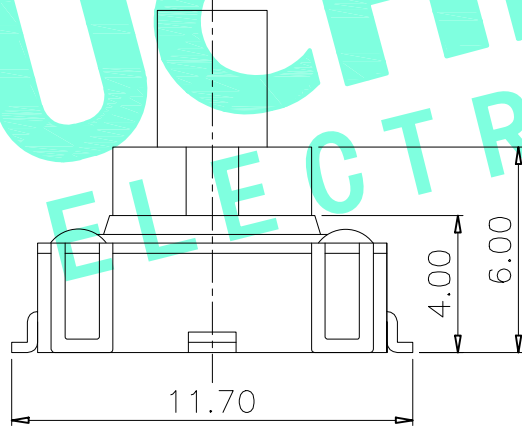
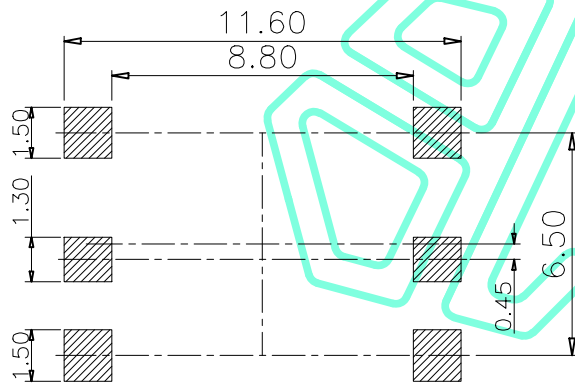
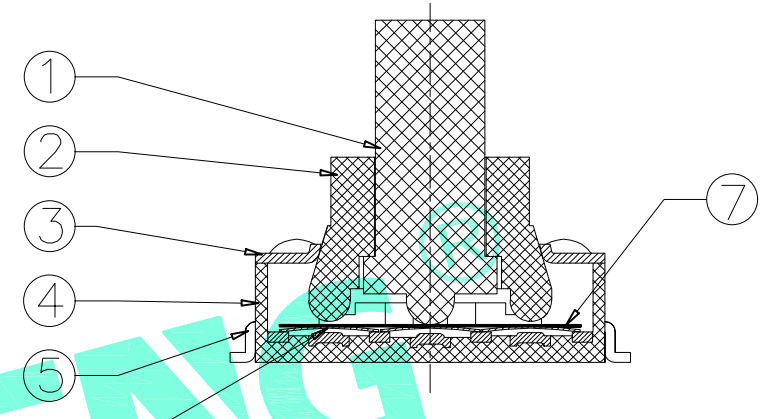
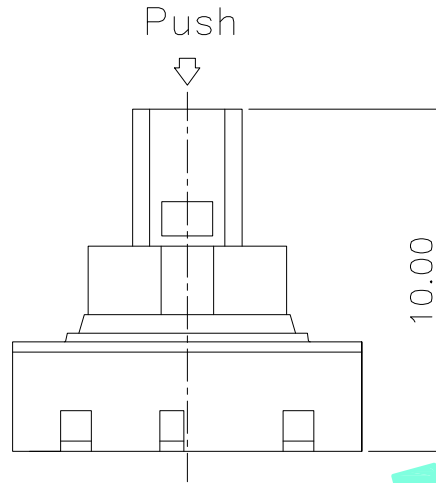
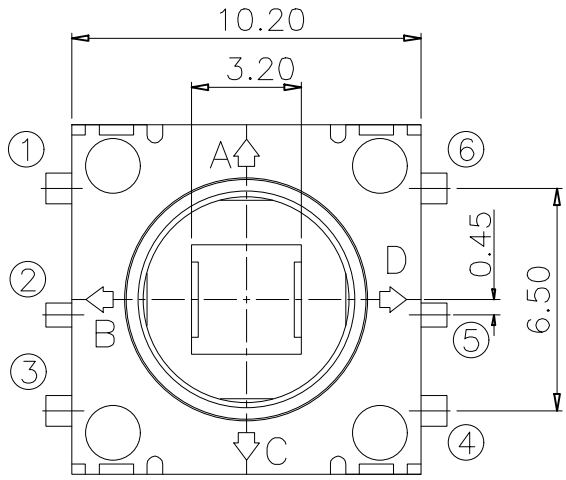


RoHS Compliant

REV. A/0	DESCRIPTION NEW	DESIGN CWF	DATE
-------------	--------------------	---------------	------



Circuit Diagram

PCB Layout(Pattern Side)

NOTE:

Operating Force:
4-direction 160 ± 35 gf
center push 300 ± 35 gf
Travel:4-direction $5^\circ \pm 2^\circ$
center push 0.20 ± 0.1 mm

THESE DRAWINGS AND SPECIFICATIONS ARE THE PROPERTY OF SHENZHEN YUCHENG ELECTRONICS,LTD.AND SHALL NOT BE REPRODUCED,COPIED OR USED IN ANY MANNER WITHOUT THE PRIOR WRITTEN CONSENT OF SHENZHEN YUCHENG ELECTRONICS,LTD

APPROVED: WEI JIE
CHECKED: HONG JIN YUN
DRAWING: CHEN YA

UCHENG ELECTRONICS 深圳市裕诚电子有限公司
SHENZHEN YUCHENG ELECTRONICS CO.,LTD

GENERAL TOLERANCES		TITLE: MULTIFUNCTION SWITCH	
30~以上	± 0.30	PART NO:	M1-5122S
10~30	± 0.20	WEBSITE:	www.ycelectron.com
5~10	± 0.15	REV: A	UNIT: mm
~ 5	± 0.10	SCALE: /	SHEET: A4
SHEET: 1 / 1			