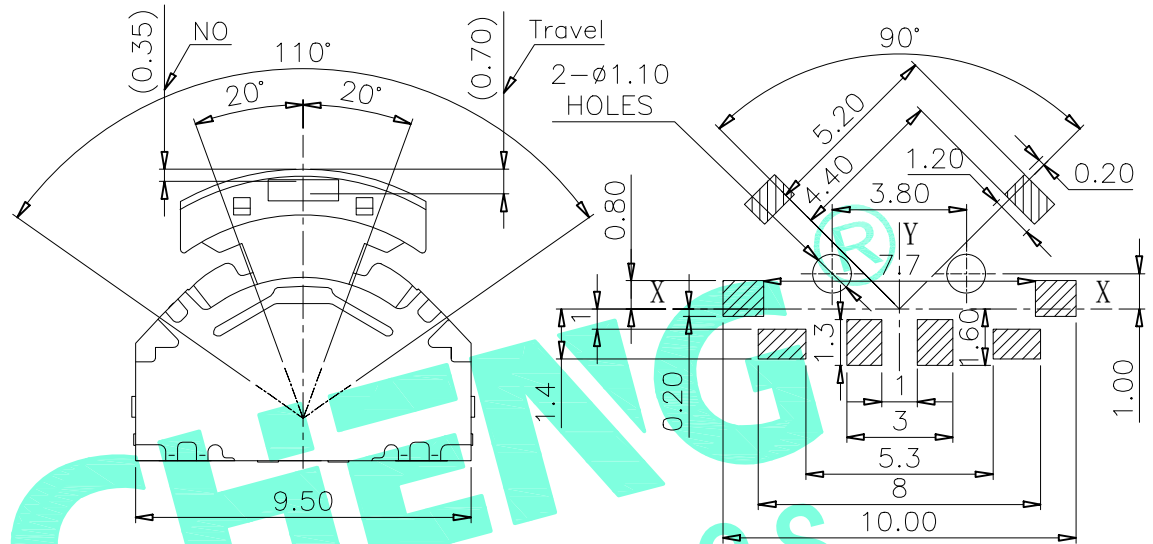
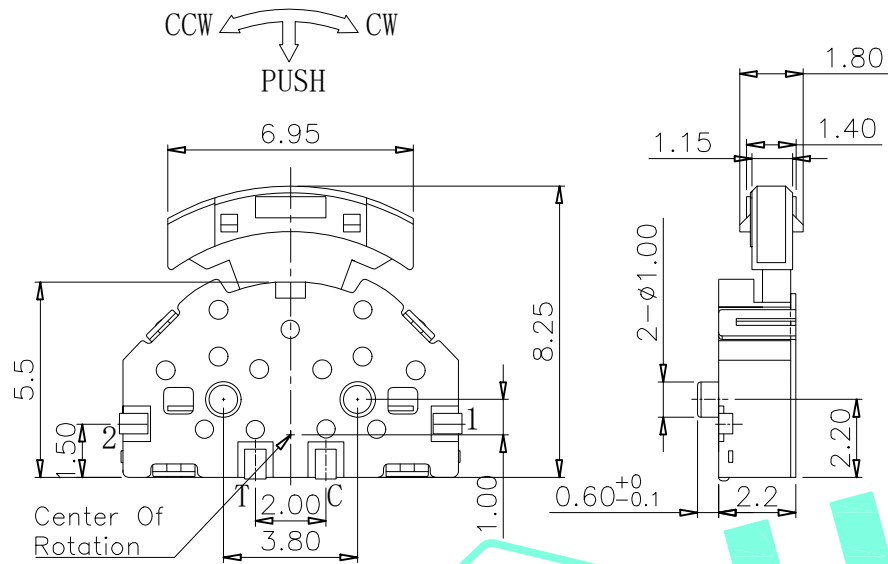


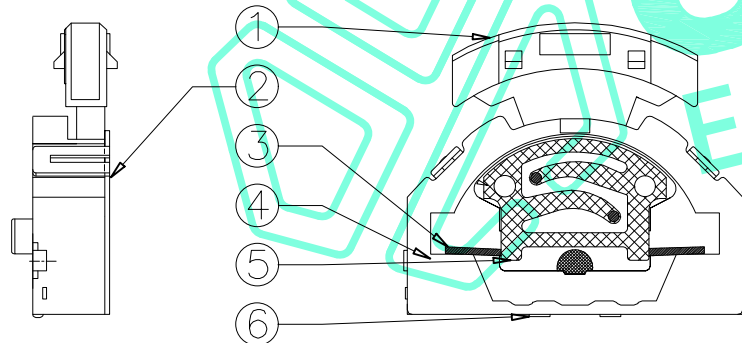
RoHS Compliant

REV. A/0	DESCRIPTION NEW	DESIGN CWF	DATE
----------	-----------------	------------	------



P.C.B Mounting Pattern Dimension

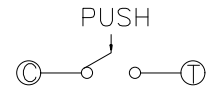
NOTE:
 Operating Force:
 lever portion 100 ± 30 gf
 Push portion 205 ± 50 gf



TER	ANG. (20°) (15°) (15°) (20°)			
	0° (NO)			
①	▨			
②				▨
③	▨	▨	▨	▨

CCW ← → CW

CODE TABLE



Circuit Diagram

ITEM	PART NAME	QTY.	MATERIAL	FINISHING
⑥	Contact	1	F.Ag/Brass	——
⑤	Terminal	4	Brass(0.15t)	Plating silver
④	Base	1	Nylon	Black
③	Spring	1	SUS	——
②	Cover	1	SUS	White
①	Keystoke	1	Nylon	Black

THESE DRAWINGS AND SPECIFICATIONS ARE THE PROPERTY OF SHENZHEN YUCHENG ELECTRONICS, LTD. AND SHALL NOT BE REPRODUCED, COPIED OR USED IN ANY MANNER WITHOUT THE PRIOR WRITTEN CONSENT OF SHENZHEN YUCHENG ELECTRONICS, LTD.

APPROVED: WEI JIE
 CHECKED: HONG JIN YUN
 DRAWING: CHEN YA

YUCHENG ELECTRONICS 深圳市裕诚电子有限公司
 SHENZHEN YUCHENG ELECTRONICS CO.,LTD

GENERAL TOLERANCES	TITLE:	MULTIFUNCTION SWITCH		
30~以上 ±0.30	PART NO:	M1-5226G		
10~30 ±0.20	WEBSITE:	www.ycelectron.com		
5~10 ±0.15	REV: A	UNIT: mm	SCALE: /	SHEET: A4
~ 5 ±0.10				
SHEET: 1 / 1				