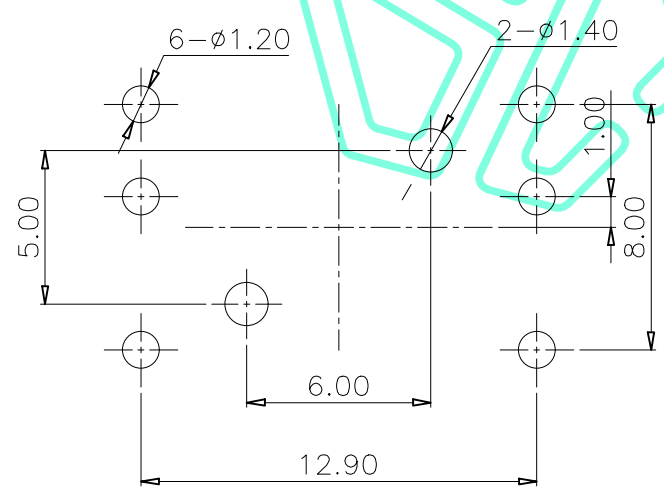
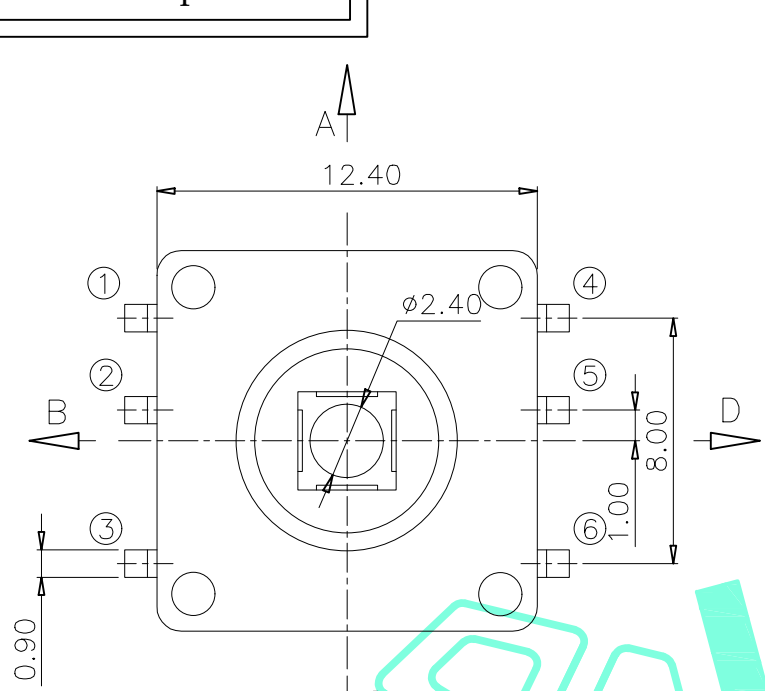
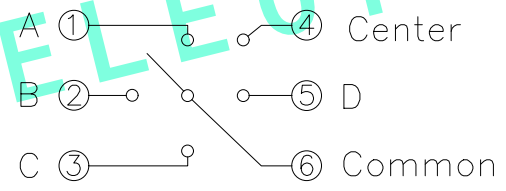
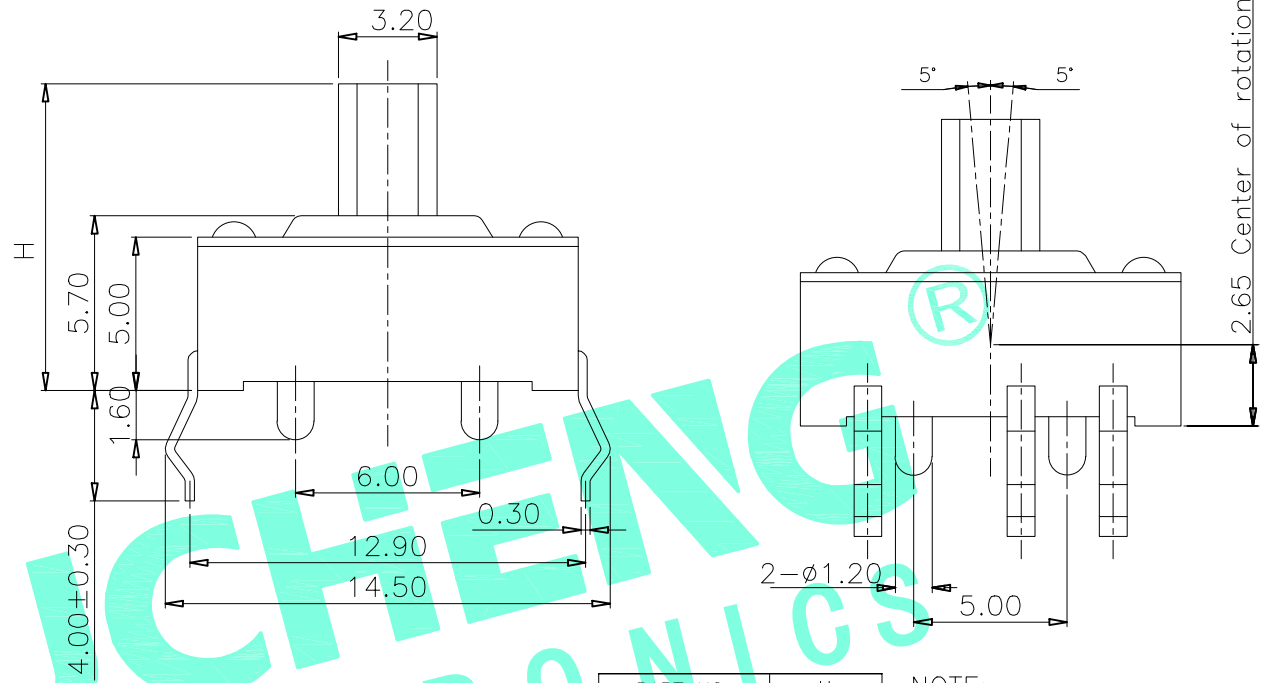


RoHS Compliant

REV.	DESCRIPTION	DESIGN	DATE
A/0	NEW	CFW	



PCB Layout(Pattern Side)



Circuit Diagram (TOP VIEW)

PART NO	H
M1-5218S-H7	7
M1-5218S-H8	8
M1-5218S-H9	9
M1-5218S-H10	10
M1-5218S-H11	11

NOTE:
 Operating Force:
 4-direction 250 ± 70 gf
 center push 250 ± 70 gf
 Travel:4-direction 5°±2°
 center push 0.25±0.1mm

ITEM	PART NAME	QTY.	MATERIAL	FINISHING
⑦	Fixed cover	1	PA46	Black
⑥	Contact	5	SUS	
⑤	Terminal	6	Brass(0.3t)	Plating silver
④	Base	1	PA46	Black
③	Cover	1	SUS	White
②	Axle sleeve	1	PA46	Black
①	KNOB	1	PA46	Black

THESE DRAWINGS AND SPECIFICATIONS ARE THE PROPERTY OF SHENZHEN YUCHENG ELECTRONICS,LTD.AND SHALL NOT BE REPRODUCED,COPIED OR USED IN ANY MANNER WITHOUT THE PRIOR WRITTEN CONSENT OF SHENZHEN YUCHENG ELECTRONICS,LTD

UCHENG 深圳市裕诚电子有限公司
 ELECTRONICS SHENZHEN YUCHENG ELECTRONICS CO.,LTD

APPROVED:	WEI JIE	GENERAL TOLERANCES	TITLE:	MULTIFUNCTION SWITCH		
CHECKED:	HONG JIN YUN	30~以上 ±0.30	PART NO:	M1-5218S		
DRAWING:	CHEN YA	10~30 ±0.20	WEBSITE:	www.ycelectron.com		
		5~10 ±0.15	REV: A	UNIT: mm	SCALE: /	SHEET: A4
		~ 5 ±0.10	SHEET: 1 / 1			