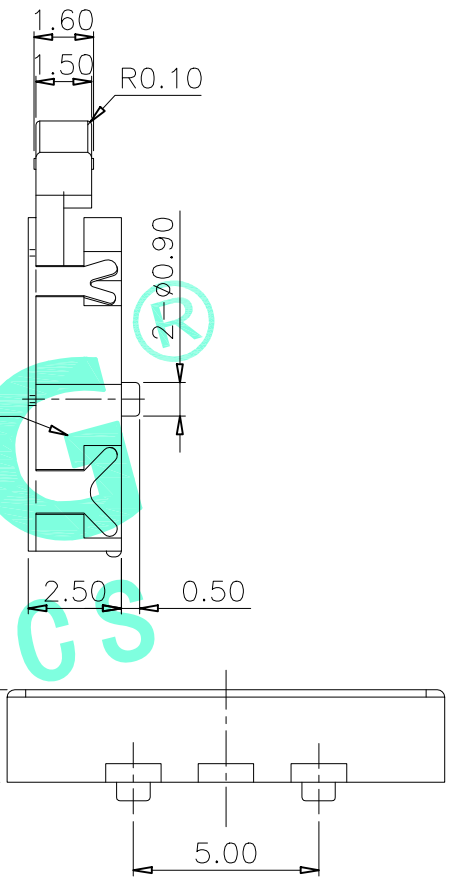
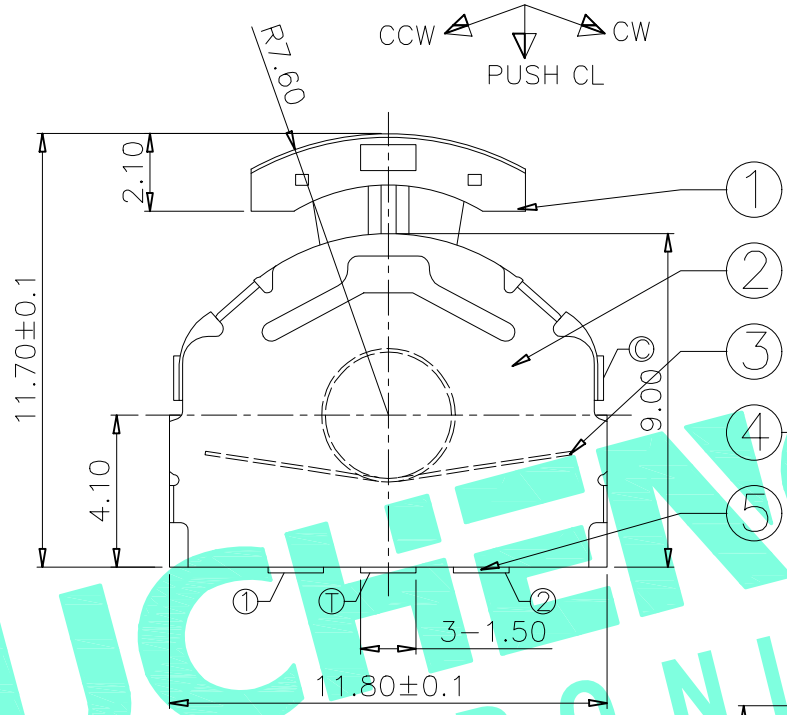
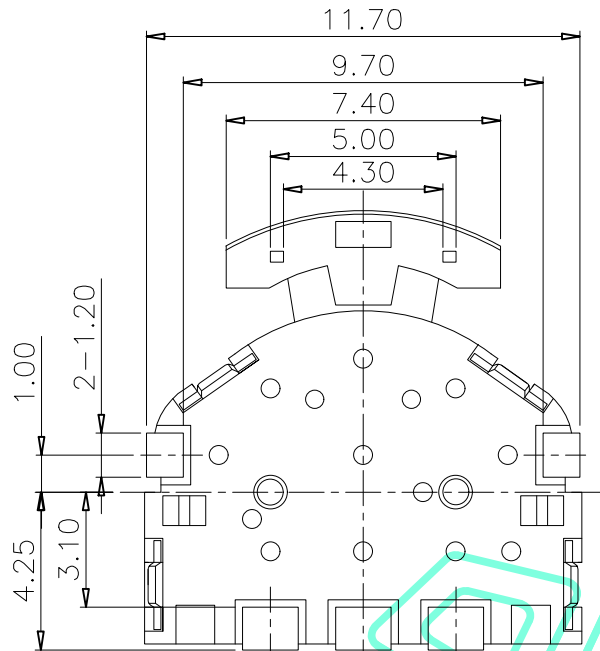


RoHS Compliant

REV.	DESCRIPTION	DESIGN	DATE
A/0	NEW	CWF	



NOTE:  
Operating Force:  
lever portion 70 ± 40 gf  
Push portion 200 ± 40 gf

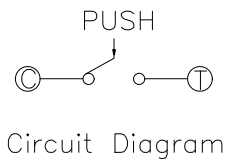
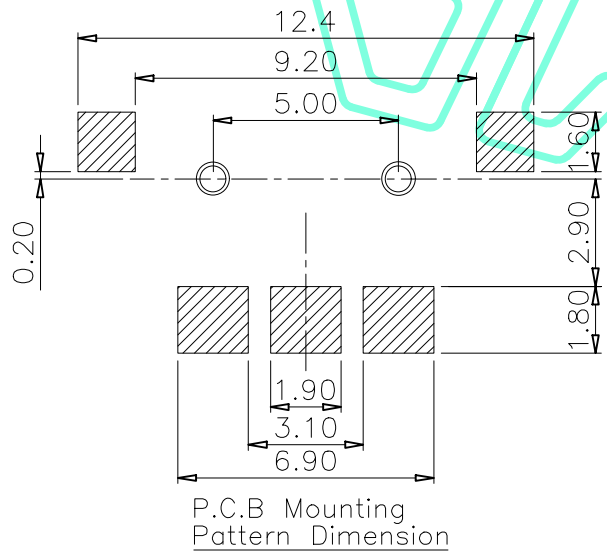
TER	ANG.	(25°)	(18°)	(18°)	(25°)
①					
②					
③					

0° (// = NO)

CCW ← → CW

CODE TABLE

ITEM	PART NAME	QTY.	MATERIAL	FINISHING
⑥	Contact	1	F.Ag/Brass	——
⑤	Terminal	5	Brass(0.15t)	Plating silver
④	Base	1	LCP	Black
③	Spring	1	SUS	——
②	Cover	1	SUS	——
①	Keystoke	1	PA46	Black



THESE DRAWINGS AND SPECIFICATIONS ARE THE PROPERTY OF SHENZHEN YUCHENG ELECTRONICS,LTD AND SHALL NOT BE REPRODUCED,COPIED OR USED IN ANY MANNER WITHOUT THE PRIOR WRITTEN CONSENT OF SHENZHEN YUCHENG ELECTRONICS,LTD

APPROVED: WEI JIE  
CHECKED: HONG JIN YUN  
DRAWING: CHEN YA

**UCHENG** 深圳市裕诚电子有限公司  
ELECTRONICS SHENZHEN YUCHENG ELECTRONICS CO.,LTD

GENERAL TOLERANCES	TITLE:	MULTIFUNCTION SWITCH
30~以上 ±0.30	PART NO:	M1-5128S
10~30 ±0.20	WEBSITE:	www.ycelectron.com
5~10 ±0.15	REV: A	UNIT: mm SCALE: / SHEET: A4
~ 5 ±0.10		
SHEET: 1 / 1		