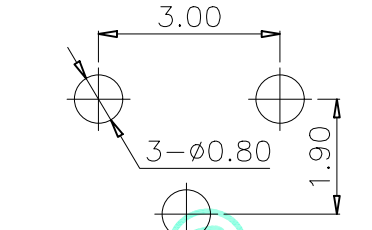
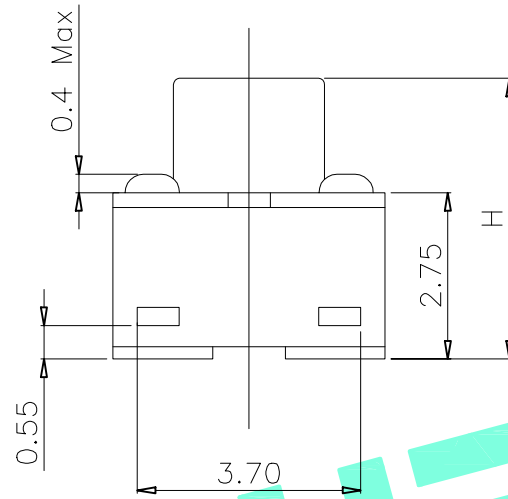
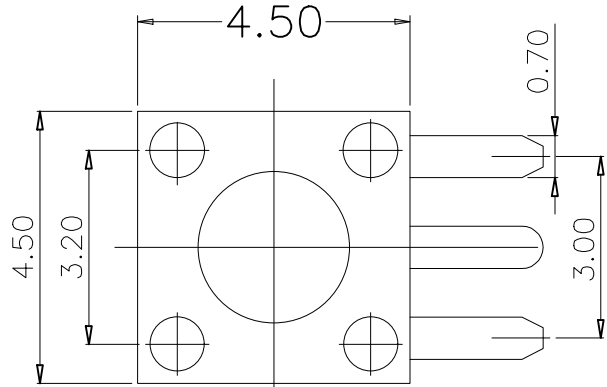
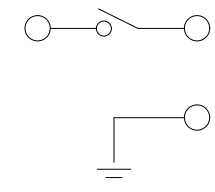


RoHS Compliant

REV. A/0	DESCRIPTION NEW	DESIGN CWF	DATE
-------------	--------------------	---------------	------



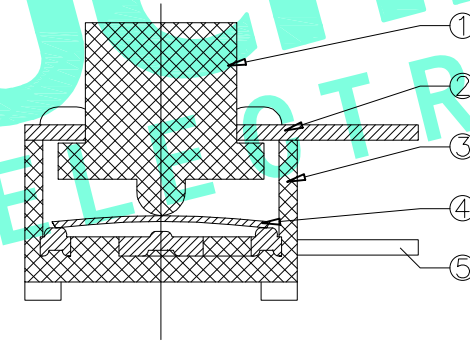
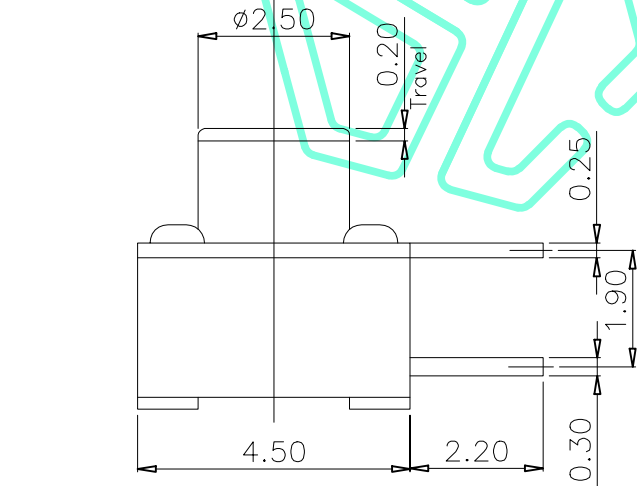
PCB Layout(Pattern Side)



Circuit diagram

NO.1	
PART NO	H
A	3.8
B	4.3
C	4.8
D	5
E	5.5
F	6
G	6.5
H	7
I	7.5
J	8
K	8.5
L	9
M	4.5

NO.2	
PART NO	vigor
1	90±30
2	130±30
3	180±30
4	250±30
5	350±50



ITEM	PART NAME	QTY.	MATERIAL	FINISHING
⑤	Terminal	3	Brass(0.30t)	Plating silver
④	Contact	1	F.Ag/SUS	—
③	Base	1	PA46	Black
②	Cover	1	BRASS	Plating silver
①	Keystoke	1	PA46	Black

THESE DRAWINGS AND SPECIFICATIONS ARE THE PROPERTY OF SHENZHEN YUCHENG ELECTRONICS,LTD.AND SHALL NOT BE REPRODUCED,COPIED OR USED IN ANY MANNER WITHOUT THE PRIOR WRITTEN CONSENT OF SHENZHEN YUCHENG ELECTRONICS,LTD

APPROVED: WEI JIE
 CHECKED: HONG JIN YUN
 DRAWING: CHEN YA

YUCHENG ELECTRONICS 深圳市裕诚电子有限公司
 SHENZHEN YUCHENG ELECTRONICS CO.,LTD

GENERAL TOLERANCES		TITLE:	
30~以上	±0.30	TACT SWITCH	
10~30	±0.20	PART NO:	M2-3988D-NO.1/2
5~10	±0.15	WEBSITE :	www.ycelectron.com
~ 5	±0.10	REV: A	UNIT: mm
SHEET: 1 / 1		SCALE: /	SHEET: A4

