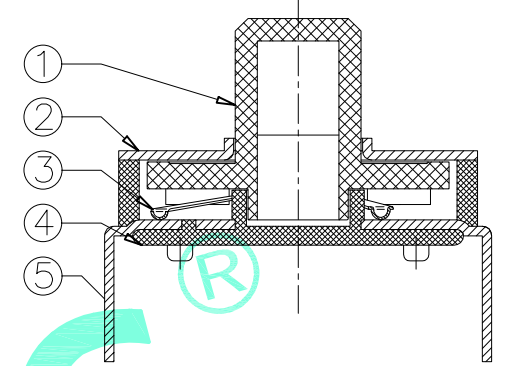
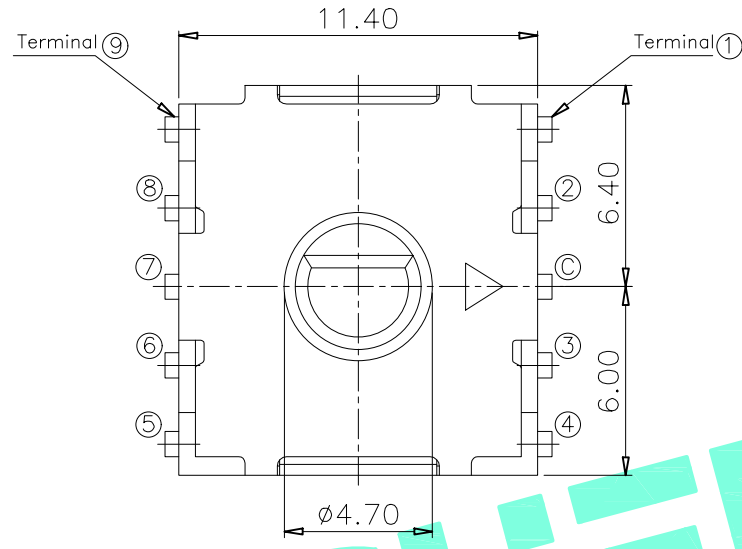
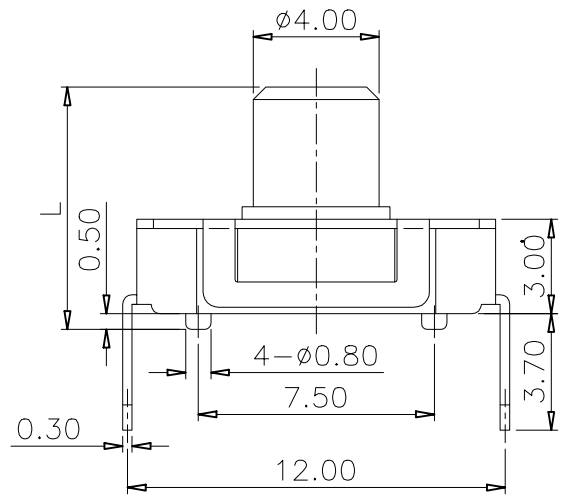
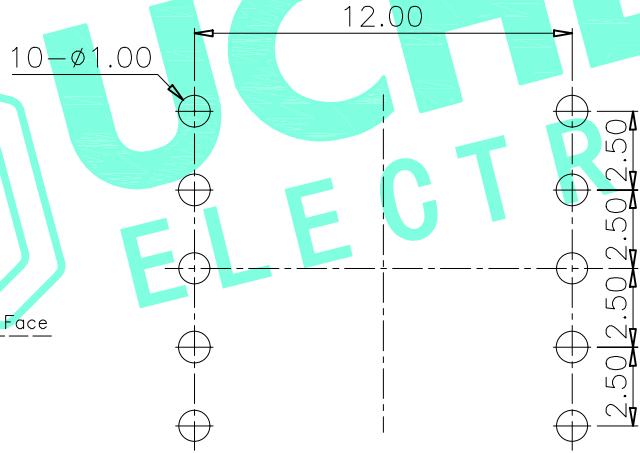
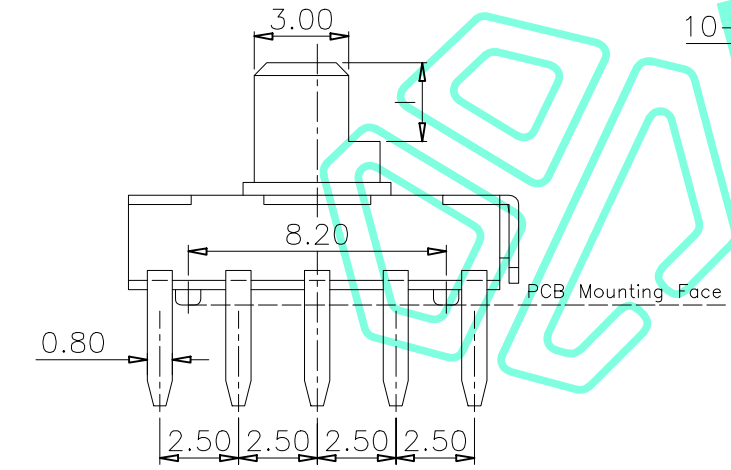


RoHS Compliant

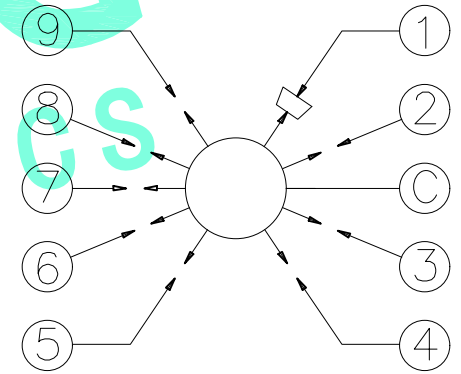
REV. A/0	DESCRIPTION NEW	DESIGN CWF	DATE
----------	-----------------	------------	------



Product Structure Diagram



P.C.B Mounting Pattern Dimension



Circuit Diagram

MODEL	L	I	Operating Force
M1-5223G-L7.7	7.7mm	2.5mm	100±50gf
M1-5223G-L9.8	9.8mm	4.1mm	
M1-5223G-L7.7	7.7mm	2.5mm	200±60gf
M1-5223G-L9.8	9.8mm	4.1mm	

ITEM	PART NAME	QTY.	MATERIAL	FINISHING
⑤	Terminal	10	Brass(0.15t)	Plating silver
④	Base	1	Nylon	Black
③	Contact	1	SUS	Plating silver
②	Cover	1	SUS	Natural
①	Keystoke	1	Nylon	Black

THESE DRAWINGS AND SPECIFICATIONS ARE THE PROPERTY OF SHENZHEN YUCHENG ELECTRONICS, LTD AND SHALL NOT BE REPRODUCED, COPIED OR USED IN ANY MANNER WITHOUT THE PRIOR WRITTEN CONSENT OF SHENZHEN YUCHENG ELECTRONICS, LTD

APPROVED: WEI JIE  
 CHECKED: HONG JIN YUN  
 DRAWING: CHEN YA

**UCHENG** 深圳市裕诚电子有限公司  
 ELECTRONICS SHENZHEN YUCHENG ELECTRONICS CO.,LTD

GENERAL TOLERANCES  
 30~以上 ±0.30  
 10~30 ±0.20  
 5~10 ±0.15  
 ~ 5 ±0.10

TITLE: MULTIFUNCTION SWITCH  
 PART NO: M1-5223G  
 WEBSITE: www.ycelectron.com  
 REV: A UNIT: mm SCALE: / SHEET: A4