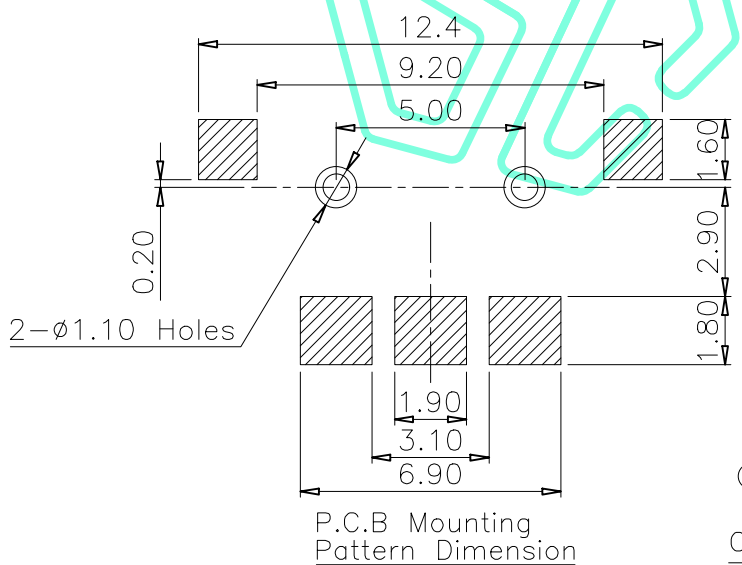
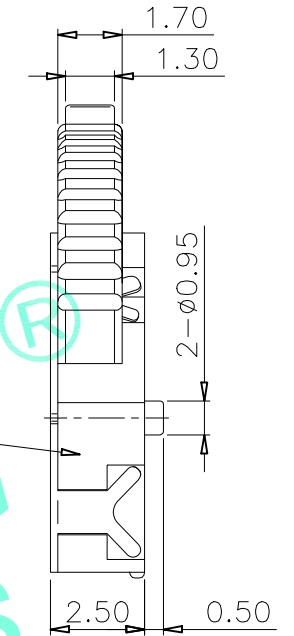
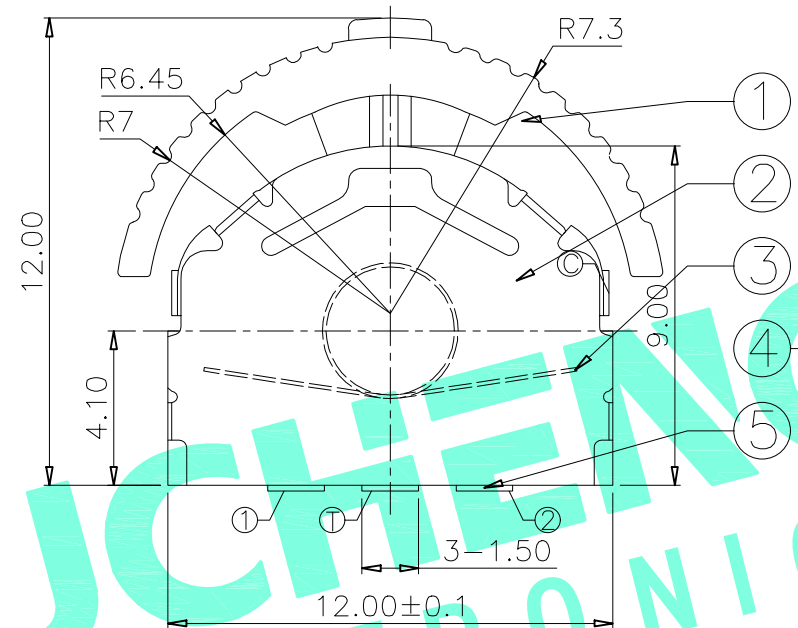
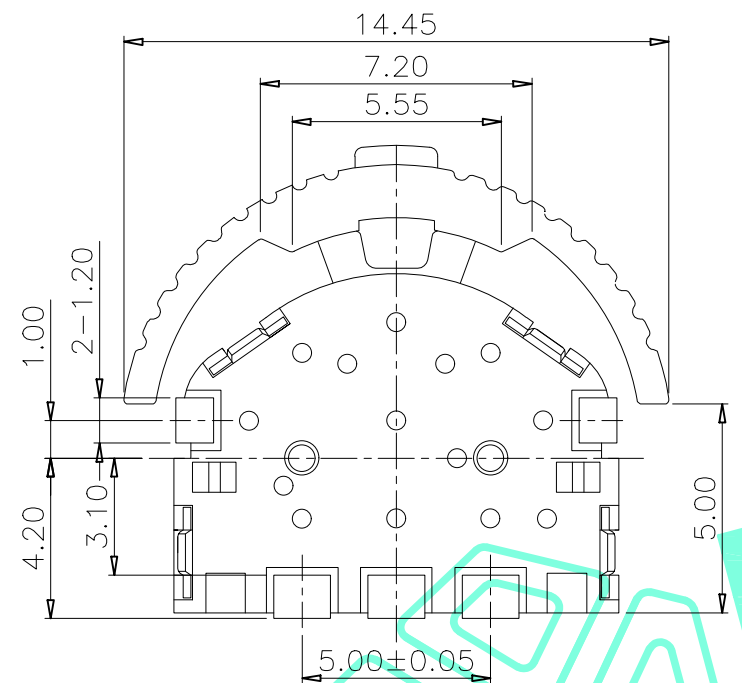
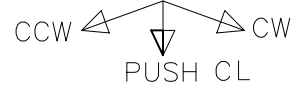


RoHS Compliant

REV.	DESCRIPTION	DESIGN	DATE
A/0	NEW	CFW	

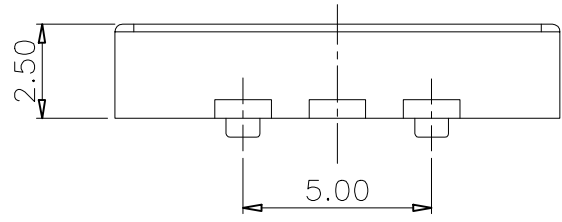


NOTE:  
 Operating Force:  
 lever portion  $70 \pm 40$  gf  
 Push portion  $200 \pm 40$  gf  
 Travel:  $-25^\circ$   $0^\circ$   $+25^\circ$  Pushportion  $0.9 \pm 0.1$ mm

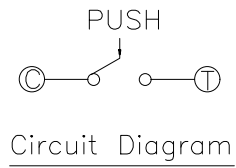
TER	ANG.	$0^\circ$ (// = NO)	
		(25°)	(18°)
①			
②			
③			

CCW ← → CW

CODE TABLE



ITEM	PART NAME	QTY.	MATERIAL	FINISHING
⑥	Contact	1	F.Ag/Brass	Plating silver
⑤	Terminal	5	Brass(0.15t)	Plating silver
④	Base	1	LCP	Black
③	Spring	1	SUS	Natural
②	Cover	1	SUS	Natural
①	Keystoke	1	PA46	Black



THESE DRAWINGS AND SPECIFICATIONS ARE THE PROPERTY OF SHENZHEN YUCHENG ELECTRONICS,LTD AND SHALL NOT BE REPRODUCED,COPIED OR USED IN ANY MANNER WITHOUT THE PRIOR WRITTEN CONSENT OF SHENZHEN YUCHENG ELECTRONICS,LTD

**UCHENG** 深圳市裕诚电子有限公司  
 ELECTRONICS SHENZHEN YUCHENG ELECTRONICS CO.,LTD

APPROVED:	WEI JIE	GENERAL TOLERANCES	TITLE:	MULTIFUNCTION SWITCH
CHECKED:	HONG JIN YUN	30~以上 ±0.30	PART NO.:	M1-5132S
DRAWING:	CHEN YA	10~30 ±0.20	WEBSITE:	www.ycelectron.com
		5~10 ±0.15	REV: A	UNIT: mm SCALE: / SHEET: A4
		~ 5 ±0.10		
		SHEET: 1 / 1		