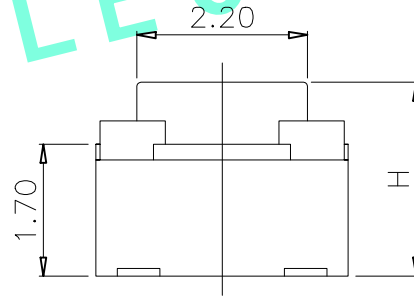
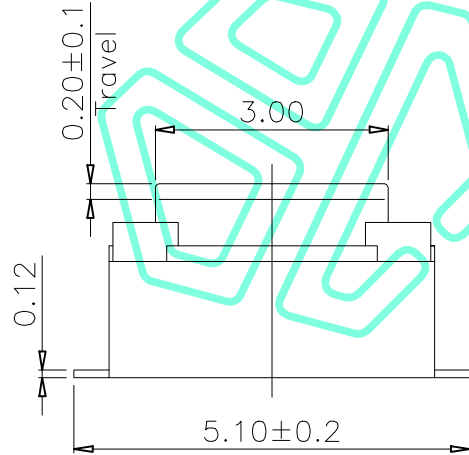
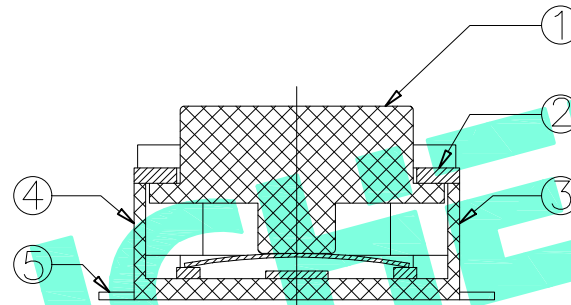
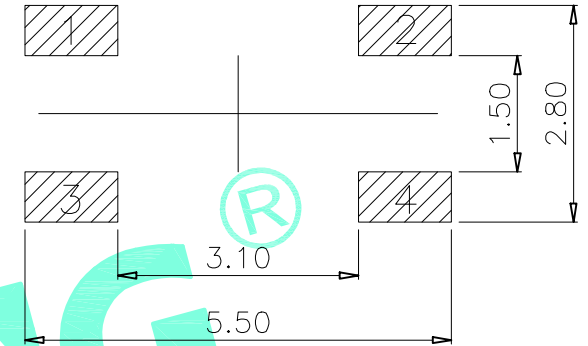
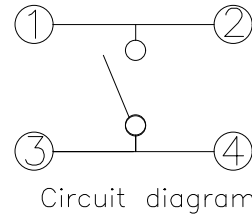
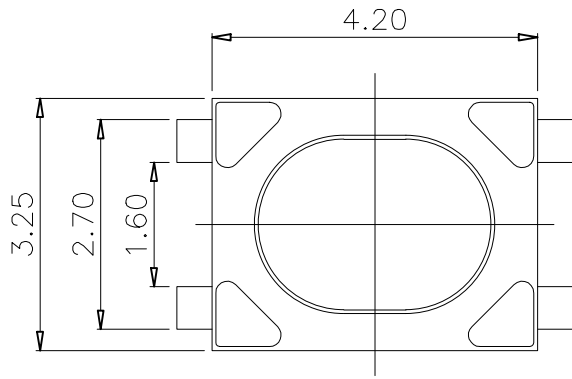


RoHS Compliant

REV. A/0	DESCRIPTION NEW	DESIGN CWF	DATE
----------	-----------------	------------	------



NO.1	
PART NO	H
A	2.5
B	2.8
C	3.5
D	4.0

NO.2	
PART NO	VIGOR
1	90±30
3	180±30
4	250±30

ITEM	PART NAME	QTY.	MATERIAL	FINISHING
⑤	Terminal	4	Phosphor Bronze	Plating silver
④	Contact	1	F.Ag/SUS	Plating silver
③	Base	1	LCP	White
②	Cover	1	Copper alloy	Natural
①	Keystoke	1	LCP	White

Typical Specifications :
 1. Rating : DC 12V 50mA
 2. Life:100,000 Cycles Min.

THESE DRAWINGS AND SPECIFICATIONS ARE THE PROPERTY OF SHENZHEN YUCHENG ELECTRONICS.,LTD.AND SHALL NOT BE REPRODUCED,COPIED OR USED IN ANY MANNER WITHOUT THE PRIOR WRITTEN CONSENT OF SHENZHEN YUCHENG ELECTRONICS.,LTD

UCHENG 深圳市裕诚电子有限公司
 ELECTRONICS SHENZHEN YUCHENG ELECTRONICS CO.,LTD

APPROVED:	WEI JIE	GENERAL TOLERANCES	TITLE:	TACT SWITCH
CHECKED:	HONG JIN YUN	30~以上 ±0.30	PART NO:	M2-3996P-NO.1/2
DRAWING:	CHEN YA	10~30 ±0.20	WEBSITE :	www.ycelectron.com
		5~10 ±0.15	REV: A	UNIT: mm SCALE: / SHEET: A4
		~ 5 ±0.10		
		SHEET: 1 / 1		