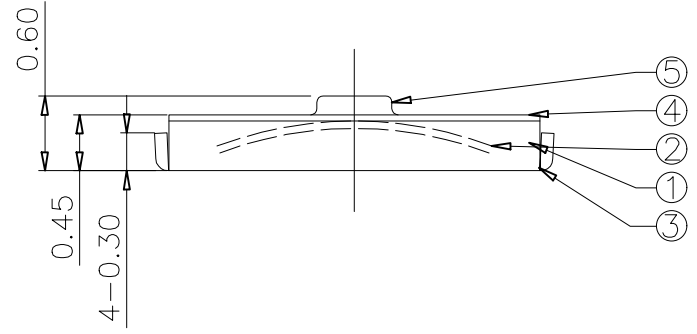
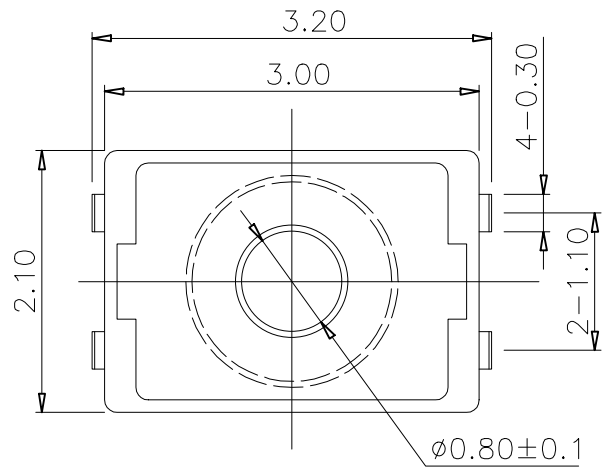
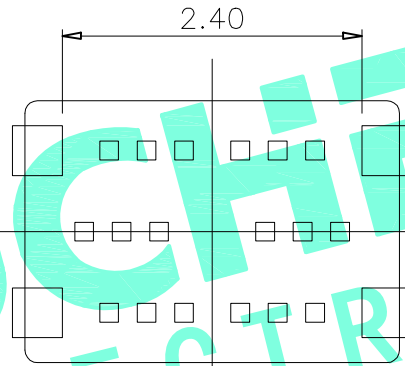
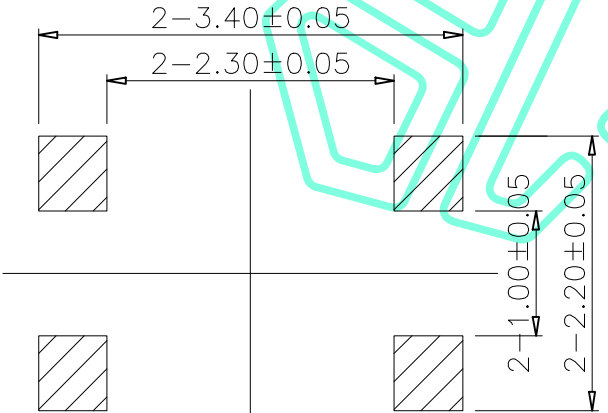


RoHS Compliant

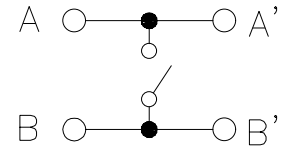
REV. A/0	DESCRIPTION NEW	DESIGN CWF	DATE
----------	-----------------	------------	------



NO.1	
PART NO	vigor
3	180±30
5	350±30



Typical Specifications :
 1. Rating : DC 12V 50mA
 2. Life:500,000 Cycles Min.
 3. Travel:0.15±0.05mm



Circuit Diagram

ITEM	PART NAME	QTY.	MATERIAL	FINISHING
⑤	Knob	1	PET	Black
④	Dust cover	1	KAPTON FILM	Yellow
③	Terminal	4	Phosphor Bronze	Plating silver
②	Contact	2	F.Ag/SUS	Plating silver
①	Base	1	Nylon	Black

PCB Layout (Pattern Side)

THESE DRAWINGS AND SPECIFICATIONS ARE THE PROPERTY OF SHENZHEN YUCHENG ELECTRONICS.,LTD.AND SHALL NOT BE REPRODUCED,COPIED OR USED IN ANY MANNER WITHOUT THE PRIOR WRITTEN CONSENT OF SHENZHEN YUCHENG ELECTRONICS.,LTD

APPROVED: WEI JIE
 CHECKED: HONG JIN YUN
 DRAWING: CHEN YA

UCHENG ELECTRONICS 深圳市裕诚电子有限公司
 SHENZHEN YUCHENG ELECTRONICS CO.,LTD

GENERAL TOLERANCES	TITLE:	TACT SWITCH		
30~以上 ±0.30	PART NO:	M2-3958D-NO.1		
10~30 ±0.20	WEBSITE:	www.ycelectron.com		
5~10 ±0.15	REV: A	UNIT: mm	SCALE: /	SHEET: A4
~ 5 ±0.10				
SHEET: 1 / 1				

