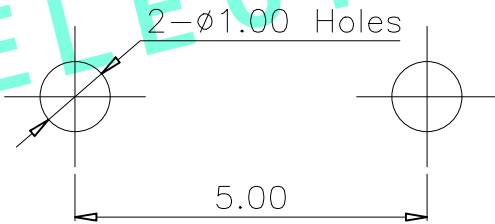
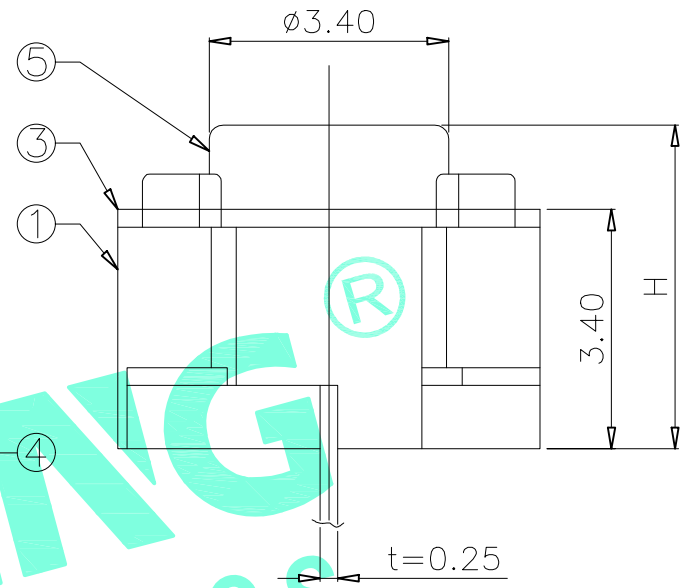
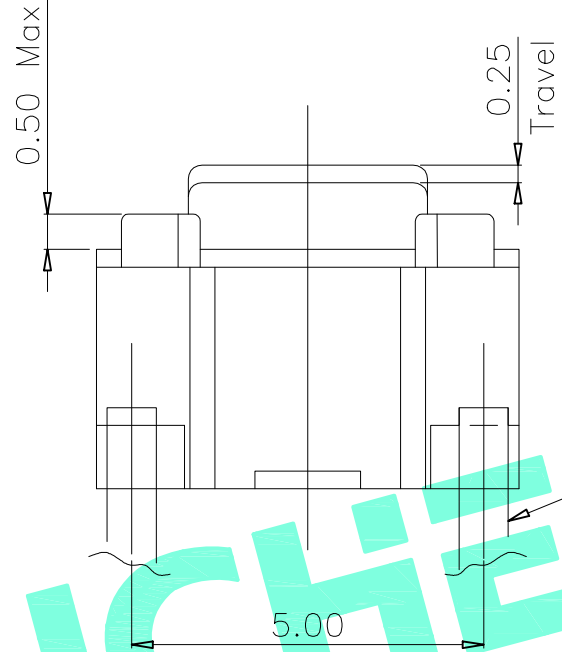
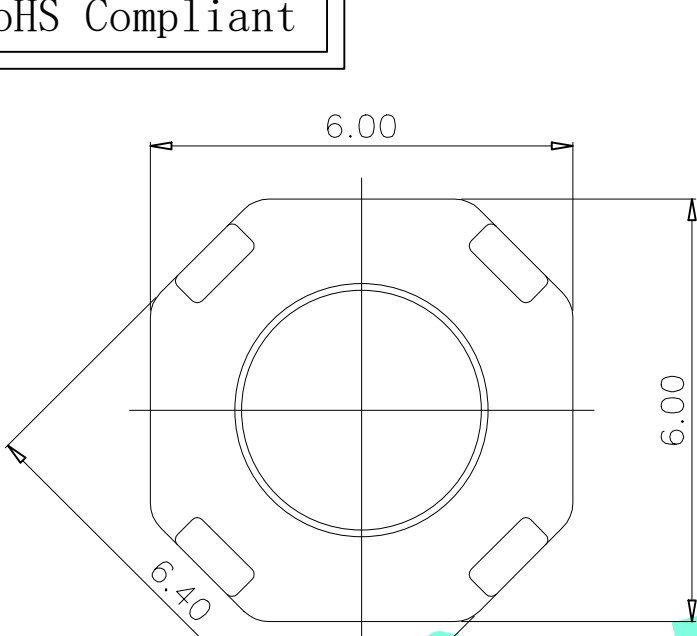
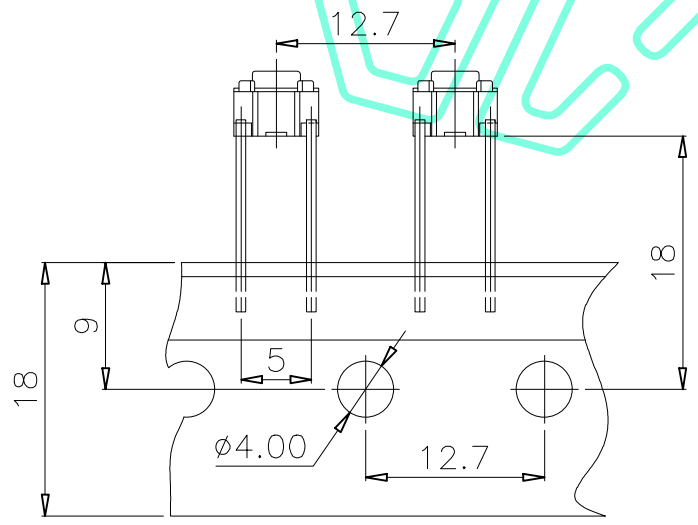


RoHS Compliant

| | | | |
|-------------|--------------------|---------------|------|
| REV. A/0 | DESCRIPTION NEW | DESIGN CWF | DATE |
|-------------|--------------------|---------------|------|



PCB Layout(Pattern Side)



Circuit Diagram

YUCHENG ELECTRONICS

| PART NO | H |
|---------|-----|
| A | 4.3 |
| C | 5.0 |

| PART NO | vigor |
|---------|--------|
| 1 | 90±30 |
| 2 | 130±30 |
| 3 | 180±30 |
| 4 | 250±30 |
| 5 | 350±50 |

| ITEM | PART NAME | QTY | MATERIAL | FINISHING |
|------|-----------|-----|------------|----------------|
| ⑤ | Knob | 1 | Nylon | White |
| ④ | Cover | 1 | Brass | Natural |
| ③ | Terminal | 2 | Copper | Plating silver |
| ② | Contact | 1 | F.Ag/C5210 | Plating silver |
| ① | Base | 1 | Nylon | Black |

THESE DRAWINGS AND SPECIFICATIONS ARE THE PROPERTY OF SHENZHEN YUCHENG ELECTRONICS, LTD. AND SHALL NOT BE REPRODUCED, COPIED OR USED IN ANY MANNER WITHOUT THE PRIOR WRITTEN CONSENT OF SHENZHEN YUCHENG ELECTRONICS, LTD.

YUCHENG ELECTRONICS 深圳市裕诚电子有限公司
SHENZHEN YUCHENG ELECTRONICS CO.,LTD

| | | | | |
|-----------|--------------|--------------------|----------|--------------------|
| APPROVED: | WEI JIE | GENERAL TOLERANCES | TITLE: | TACT SWITCH |
| CHECKED: | HONG JIN YUN | 30~以上 ±0.30 | PART NO: | M2-3972D-NO.1/2 |
| DRAWING: | CHEN YA | 10~30 ±0.20 | WEBSITE: | www.ycelectron.com |
| | | 5~10 ±0.15 | REV: A | UNIT: mm |
| | | ~ 5 ±0.10 | | SCALE: / |
| | | SHEET: 1 / 1 | | SHEET: A4 |