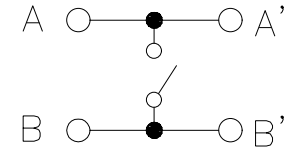
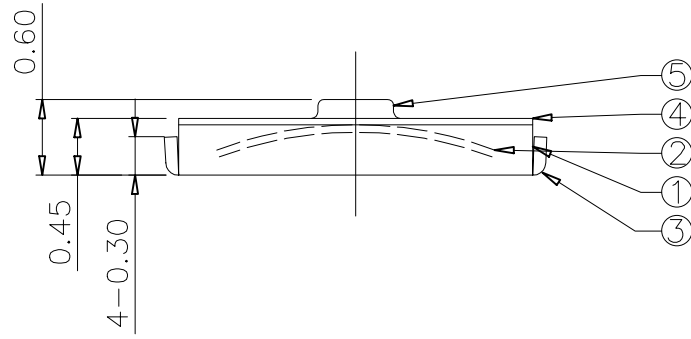
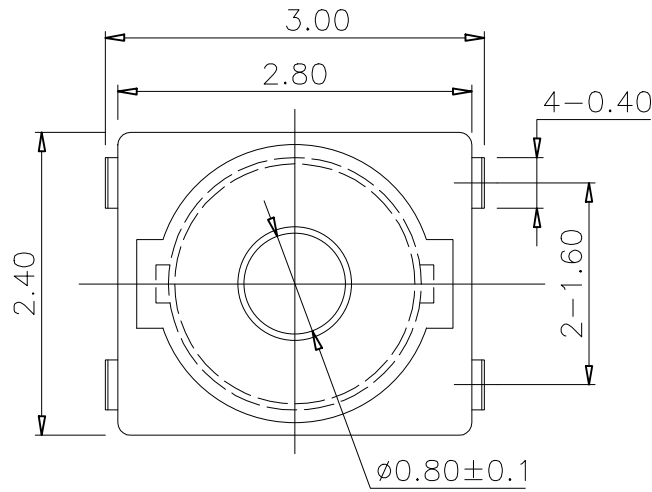
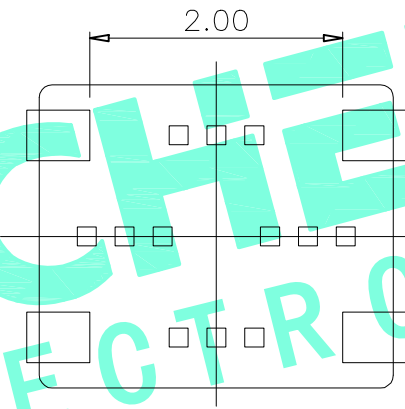


RoHS Compliant

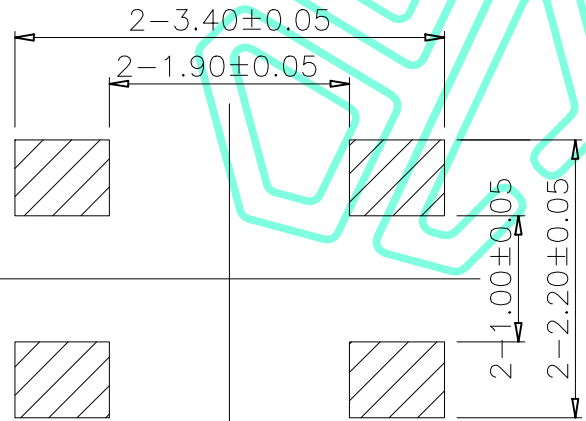
REV. A/0	DESCRIPTION NEW	DESIGN CWF	DATE
-------------	--------------------	---------------	------



®
Circuit Diagram



NO.1	
PART NO	vigor
3	180±30
4	250±30



PCB Layout (Pattern Side)

Note:
Travel: 0.15±0.05mm

⑤			
④			
③			
②			
①			
ITEM			

THESE DRAWINGS AND SPECIFICATIONS ARE THE PROPERTY OF SHENZHEN YUCHENG ELECTRONICS, LTD. AND SHALL NOT BE REPRODUCED, COPIED OR USED IN ANY MANNER WITHOUT THE PRIOR WRITTEN CONSENT OF SHENZHEN YUCHENG ELECTRONICS, LTD.

UCHENG® 深圳市裕诚电子有限公司
ELECTRONICS SHENZHEN YUCHENG ELECTRONICS CO.,LTD

APPROVED:	WEI JIE	GENERAL TOLERANCES	TITLE:	TACT SWITCH
CHECKED:	HONG JIN YUN	30~以上 ±0.30	PART NO:	M2-3956P-NO.1
DRAWING:	CHEN YA	10~30 ±0.20	WEBSITE:	www.ycelectron.com
		5~10 ±0.15	REV: A	UNIT: mm
		~ 5 ±0.10	SCALE: /	SHEET: A4
		SHEET: 1 / 1		④