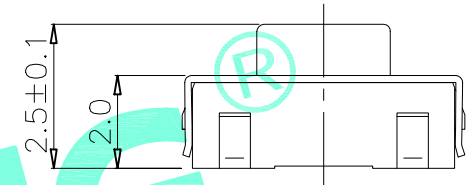
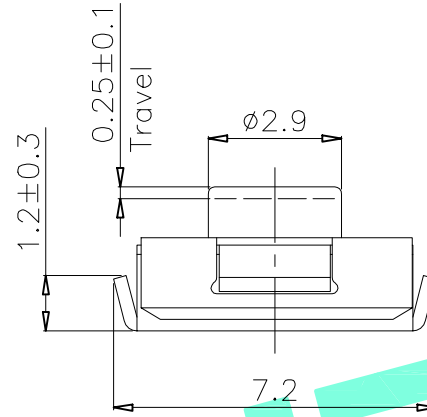
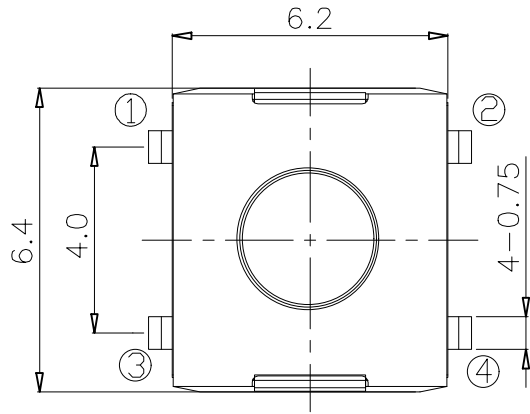
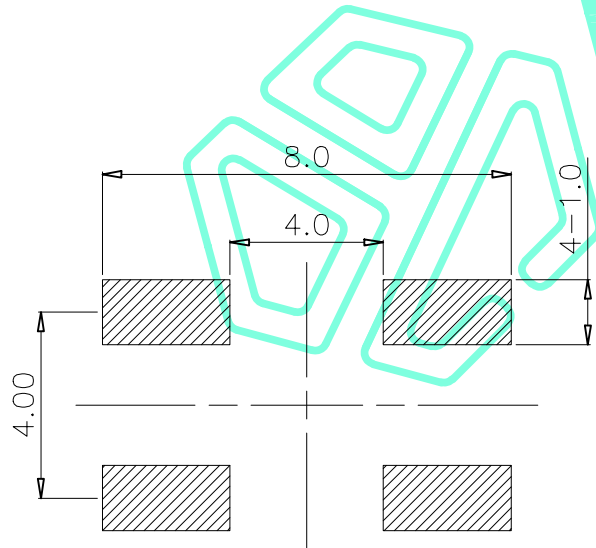


RoHS Compliant

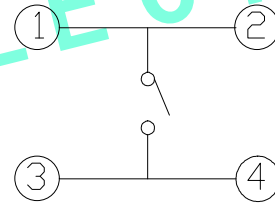
REV. A/0	DESCRIPTION NEW	DESIGN CWF	DATE
-------------	--------------------	---------------	------



Forcel: 180±30gf



PCB Layout(Pattern side)



Circuit Diagram

ITEM	PART NAME	QTY.	MATERIAL	FINISHING
⑤	Terminal	4	Brass(0.3t)	Plating silver
④	Contact	1	SUS	Plating silver
③	Base	1	PPA	Black
②	Cover	1	SUS	—
①	Keystoke	1	silica gel	Blue

THESE DRAWINGS AND SPECIFICATIONS ARE THE PROPERTY OF SHENZHEN YUCHENG ELECTRONICS.,LTD AND SHALL NOT BE REPRODUCED, COPIED OR USED IN ANY MANNER WITHOUT THE PRIOR WRITTEN CONSENT OF SHENZHEN YUCHENG ELECTRONICS.,LTD

UCHENG 深圳市裕诚电子有限公司
ELECTRONICS SHENZHEN YUCHENG ELECTRONICS CO.,LTD

APPROVED:	WEI JIE	GENERAL TOLERANCES	TITLE:	TACT SWITCH
CHECKED:	HONG JIN YUN	30~以上 ±0.30	PART NO:	M2-1890D
DRAWING:	CHEN YA	10~30 ±0.20	WEBSITE:	www.ycelectron.com
		5~10 ±0.15	REV: A	UNIT: mm
		~ 5 ±0.10	SCALE: /	SHEET: A4
		SHEET: 1 / 1		

