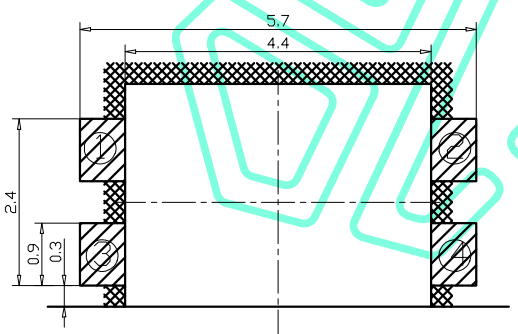
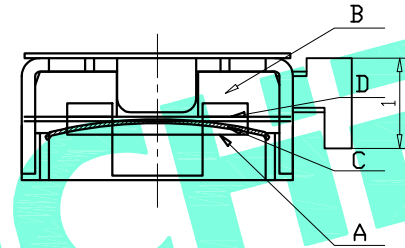
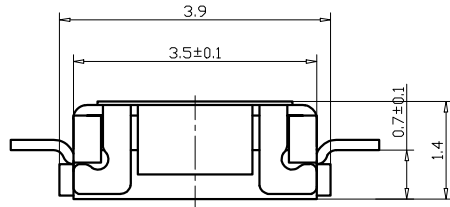
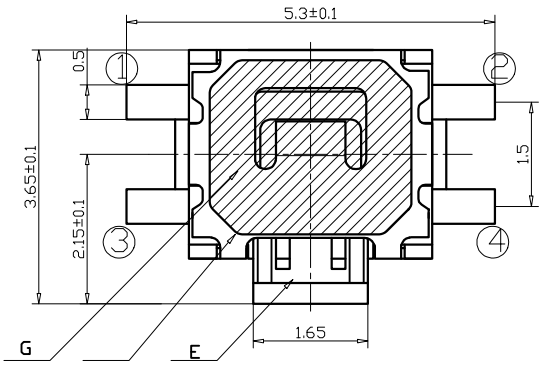
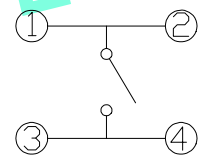


RoHS Compliant

REV. A/0	DESCRIPTION NEW	DESIGN CWF	DATE
-------------	--------------------	---------------	------



PCB Layout recommended



Circuit diagram

技术要求:

1. 塑料件表面光洁无划伤, 水花, 变形, 影响外观及性能等缺陷。
2. 额定电流: 50mA.12V DC,绝缘电阻 100MΩmin, 100VDC,介电强度250VAC for 1min,接触电阻100mΩ max;
- 3.开关手感明显, 档位清晰可靠, 无卡滞现象, 消除外力后, 应能快速回位。

①	防尘膜 (外)	1	0.05黄胶	
②	盖板	1	不锈钢0.15	
③	按钮	1	PA46灰	
④	防尘膜	1	0.05灰胶	
⑤	簧片	2	进口不锈钢覆银	
⑥	底座	1	LCP黑	
⑦	卡件	1	磷铜0.15	
ITEM	PART NAME	QTY.	MATERIAL	FINISHING

THESE DRAWINGS AND SPECIFICATIONS ARE THE PROPERTY OF SHENZHEN YUCHENG ELECTRONICS,LTD.AND SHALL NOT BE REPRODUCED,COPIED OR USED IN ANY MANNER WITHOUT THE PRIOR WRITTEN CONSENT OF SHENZHEN YUCHENG ELECTRONICS,LTD

APPROVED: WEI JIE  
 CHECKED: HONG JIN YUN  
 DRAWING: CHEN YA

**UCHENG** ELECTRONICS 深圳市裕诚电子有限公司  
 SHENZHEN YUCHENG ELECTRONICS CO.,LTD

GENERAL TOLERANCES	TITLE:	四脚小龟侧按沉板		
30~以上 ±0.30	PART NO:	M2-2026D		
10~30 ±0.20	WEBSITE:	www.ycelectron.com		
5~10 ±0.15	REV: A	UNIT: mm	SCALE: /	SHEET: A4
~ 5 ±0.10	SHEET: 1 / 1			