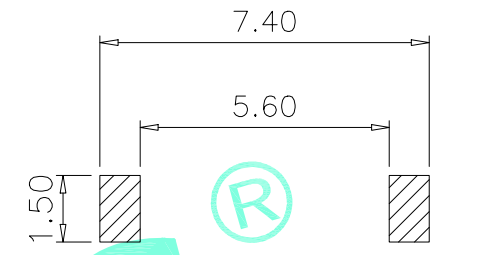
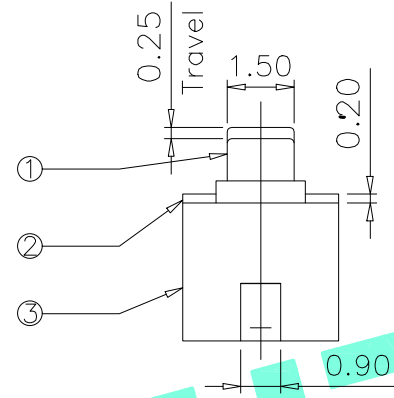
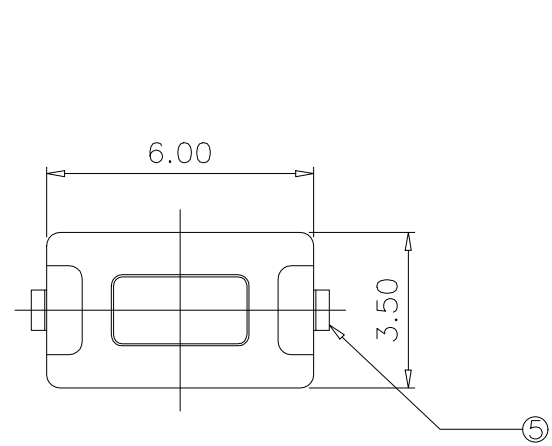
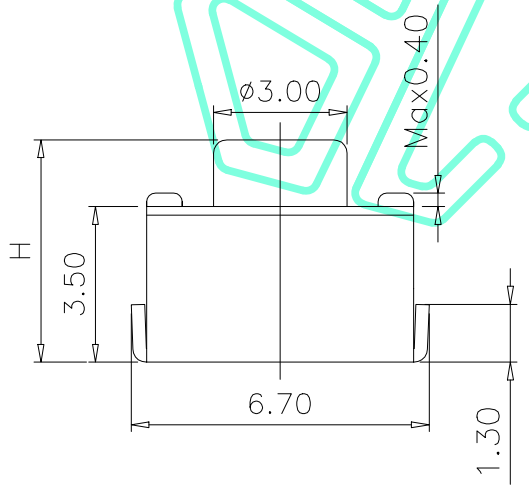


RoHS Compliant

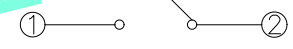
REV. A/0	DESCRIPTION NEW	DESIGN CWF	DATE
----------	-----------------	------------	------



PCB Layout (Pattern Side)



YUCHENG
ELECTRONICS



Circuit Diagram

NO.1	
PART NO	H
A	4.3
C	5

NO.2	
PART NO	VIGOR
1	90±30
2	130±30
3	180±30
4	250±30
5	350±50

⑤	Terminal	2	Brass(0.30t)	Plating silver
④	Contact	1	F.Ag/SUS	—
③	Base	1	PA46	WHITE
②	Cover	1	SPCC	Plating Nickel
①	Keystoke	1	PA46	WHITE
ITEM	PART NAME	QTY.	MATERIAL	FINISHING

THESE DRAWINGS AND SPECIFICATIONS ARE THE PROPERTY OF SHENZHEN YUCHENG ELECTRONICS.,LTD.AND SHALL NOT BE REPRODUCED,COPIED OR USED IN ANY MANNER WITHOUT THE PRIOR WRITTEN CONSENT OF SHENZHEN YUCHENG ELECTRONICS.,LTD

APPROVED: WEI JIE
CHECKED: HONG JIN YUN
DRAWING: CHEN YA

YUCHENG ELECTRONICS 深圳市裕诚电子有限公司
SHENZHEN YUCHENG ELECTRONICS CO.,LTD

GENERAL TOLERANCES		TITLE:	
30~以上	±0.30	TACT SWITCH	
10~30	±0.20	PART NO:	M2-3961P-NO.1/2
5~10	±0.15	WEBSITE :	www.ycelectron.com
~ 5	±0.10	REV: A	UNIT: mm
SHEET: 1 / 1		SCALE: /	SHEET: A4

