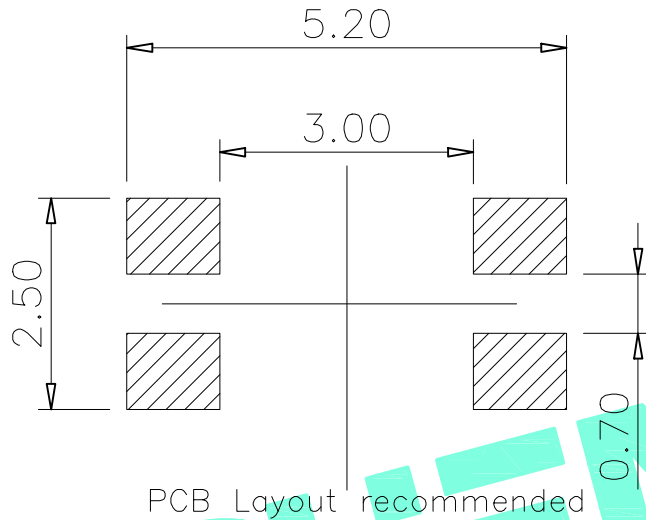
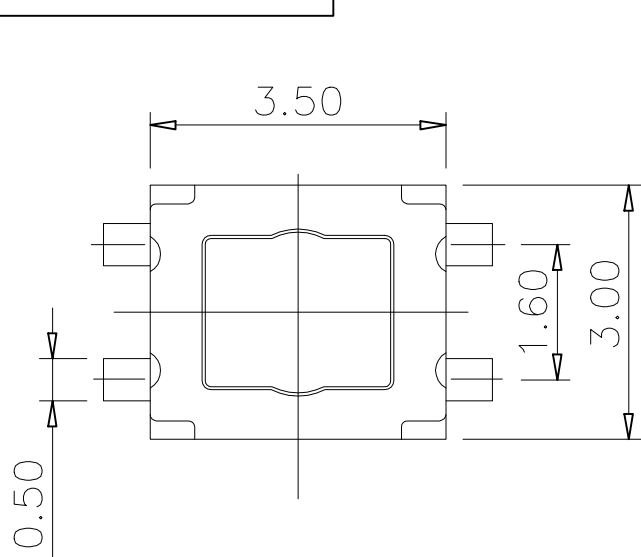


RoHS Compliant

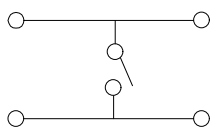
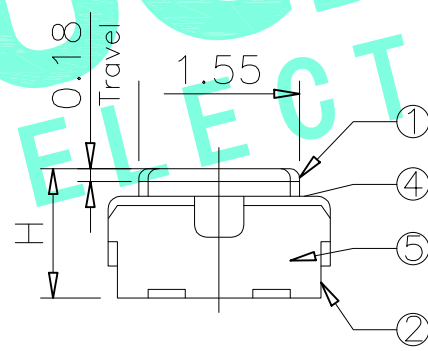
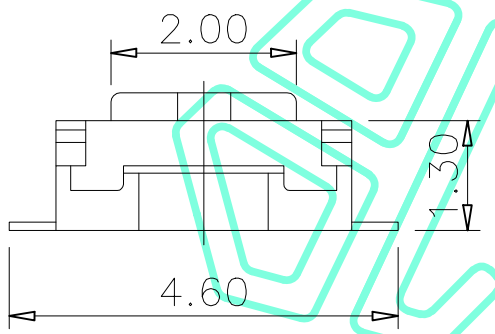
REV. A/0	DESCRIPTION NEW	DESIGN CWF	DATE
----------	-----------------	------------	------



NOTE:  
 Rating: DC 12V 50mA  
 Lifetime: 100,000 Cycles  
 Packaging: 3000pcs/Reel

NO.1	
PART NO	H
A	2.0
H	1.8

NO.2	
PART NO	vigor
2	130±30
3	160±30
4	250±30



Circuit diagram

⑤	Terminal	4	Phosphor Bronze	Ag-PLATED
④	Shell	1	SUS	Natural
③	Contact	1	SUS	Ag-PLATED
②	Base	1	LCP	White
①	Keystoke	1	Nylon	Black
ITEM	PART NAME	QTY.	MATERIAL	FINISHING

THESE DRAWINGS AND SPECIFICATIONS ARE THE PROPERTY OF SHENZHEN YUCHENG ELECTRONICS,LTD.AND SHALL NOT BE REPRODUCED,COPIED OR USED IN ANY MANNER WITHOUT THE PRIOR WRITTEN CONSENT OF SHENZHEN YUCHENG ELECTRONICS,LTD

APPROVED: WEI JIE  
 CHECKED: HONG JIN YUN  
 DRAWING: CHEN YA

**YUCHENG ELECTRONICS** 深圳市裕诚电子有限公司  
 SHENZHEN YUCHENG ELECTRONICS CO.,LTD

GENERAL TOLERANCES		TITLE:	
30~以上	±0.30	TACT SWITCH	
10~30	±0.20	PART NO:	M2-3921A-NO.1/2
5~10	±0.15	WEBSITE :	www.ycelectron.com
~ 5	±0.10	REV: A	UNIT: mm
SHEET: 1 / 1		SCALE: /	SHEET: A4

