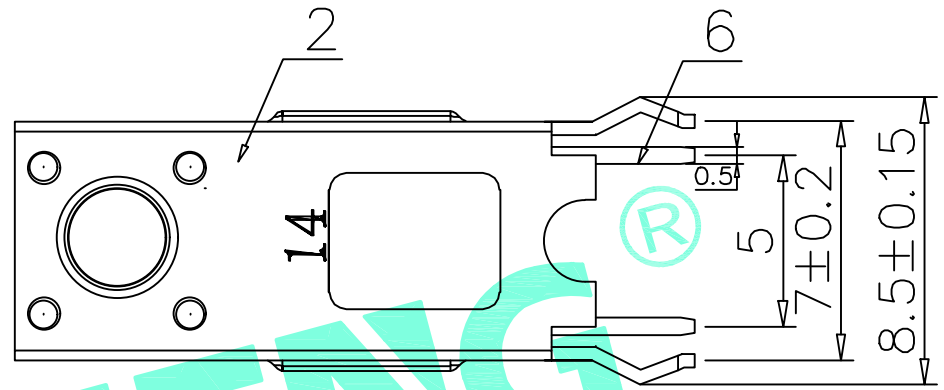
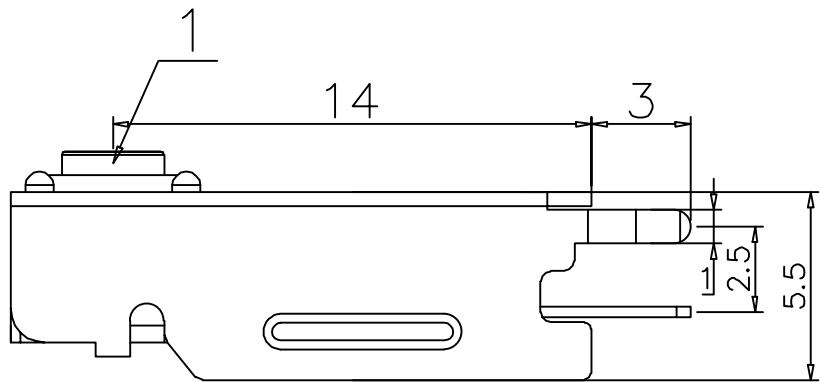
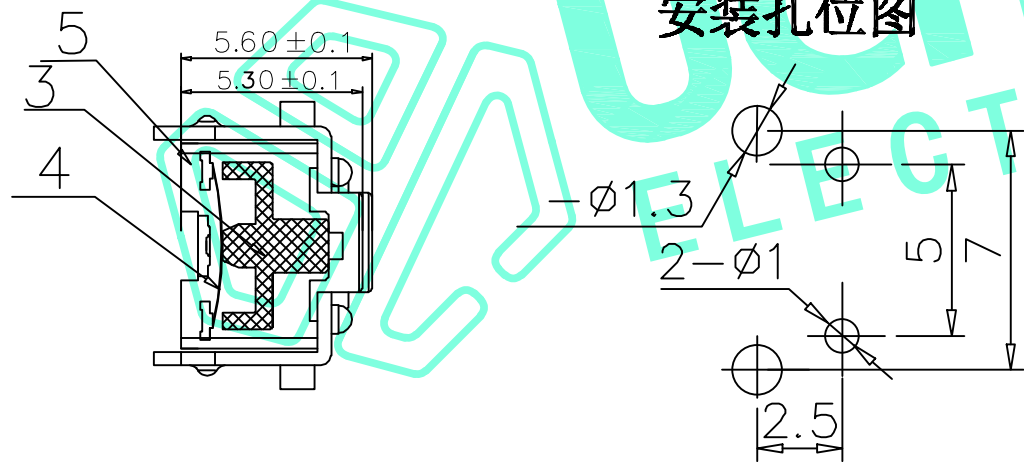


RoHS Compliant

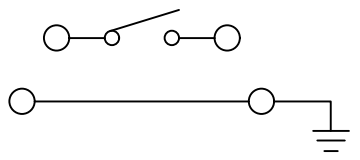
REV. A/0	DESCRIPTION NEW	DESIGN CWF	DATE
-------------	--------------------	---------------	------



安装孔位图



SCHEMATIC



⑥	Terminal	2	Brass(0.30t)	Plating silver
⑤	Base	1	PA66	Black
④	Contact	1	Phosphor Bronze	F.Ag
③	Keystoke	1	Nylon	Black
②	Cover	1	SPCC	Plating Nickel
①	Keystoke	1	Nylon	Black
ITEM	PART NAME	QTY.	MATERIAL	FINISHING

THESE DRAWINGS AND SPECIFICATIONS ARE THE PROPERTY OF SHENZHEN YUCHENG ELECTRONICS,LTD.AND SHALL NOT BE REPRODUCED,COPIED OR USED IN ANY MANNER WITHOUT THE PRIOR WRITTEN CONSENT OF SHENZHEN YUCHENG ELECTRONICS.,LTD

APPROVED: WEI JIE  
 CHECKED: HONG JIN YUN  
 DRAWING: CHEN YA

**UCHENG**® 深圳市裕诚电子有限公司  
 ELECTRONICS SHENZHEN YUCHENG ELECTRONICS CO.,LTD

GENERAL TOLERANCES		TITLE:	
30~以上	±0.30	TACT SWITCH	
10~30	±0.20	PART NO:	
5~10	±0.15	M2-1897A-NO.1/2	
~ 5	±0.10	WEBSITE :	
SHEET: 1 / 1		www.ycelectron.com	
REV: A	UNIT: mm	SCALE: /	SHEET: A4

