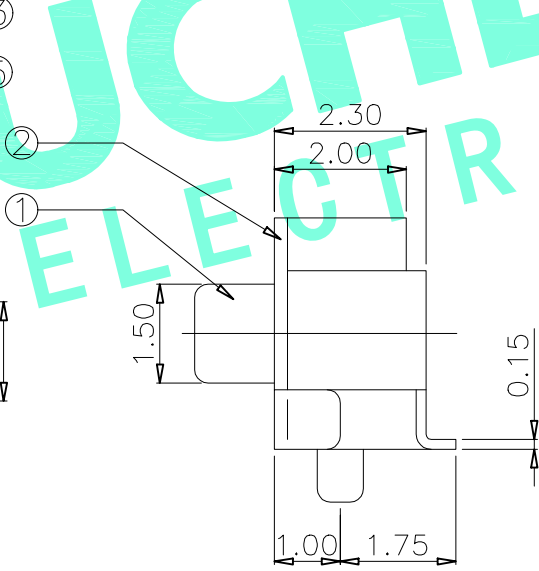
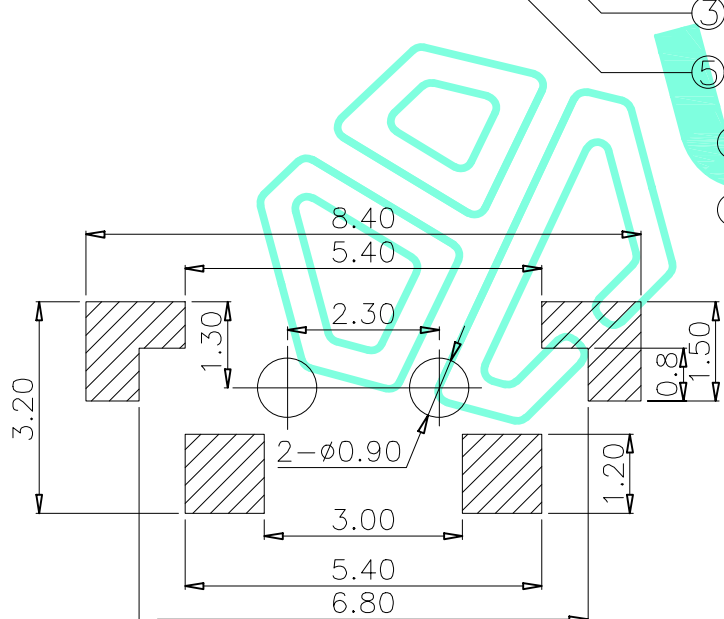
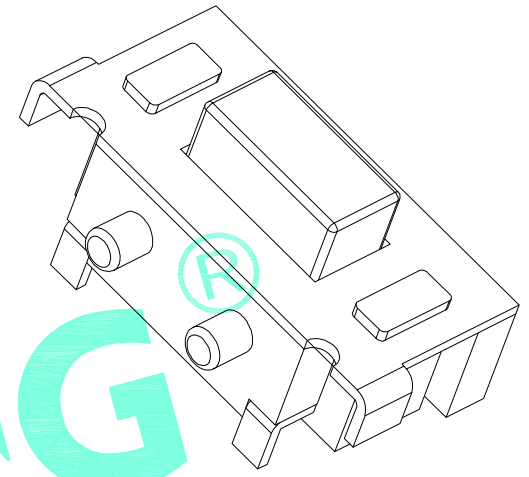
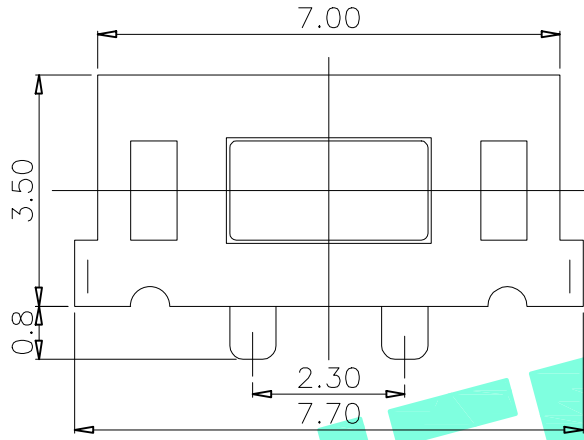
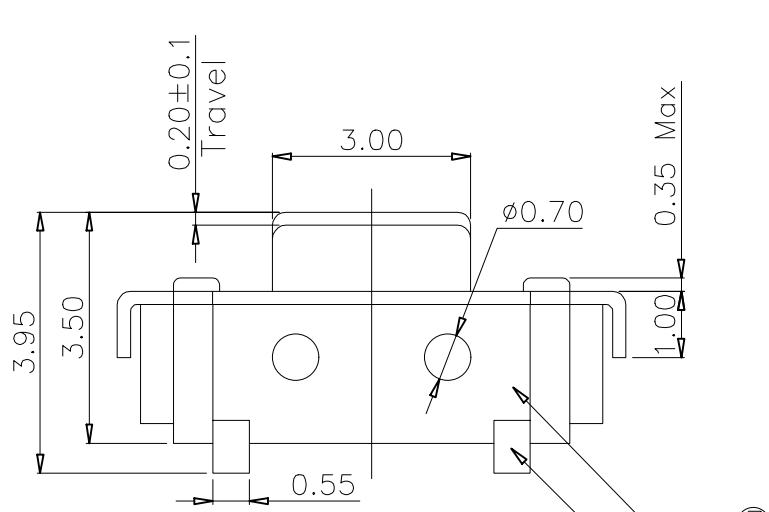


RoHS Compliant

REV. A/0	DESCRIPTION NEW	DESIGN CWF	DATE
-------------	--------------------	---------------	------



PART NO.	
M2-3967DY	M2-3967DW

NO.1	
PART NO	vigor
1	90±30
2	130±30
3	180±30
4	250±30
5	350±50

ITEM	PART NAME	QTY.	MATERIAL	FINISHING
⑤	Terminal	2	Phosphor Bronze	Plating silver
④	Contact	2	F.Ag/SUS	Natural
③	Base	1	LCP	White
②	Cover	1	Brass(0.20t)	Plating Nickel
①	Keystoke	1	LCP	Black

PCB Layout recommended



THESE DRAWINGS AND SPECIFICATIONS ARE THE PROPERTY OF SHENZHEN YUCHENG ELECTRONICS.,LTD.AND SHALL NOT BE REPRODUCED,COPIED OR USED IN ANY MANNER WITHOUT THE PRIOR WRITTEN CONSENT OF SHENZHEN YUCHENG ELECTRONICS.,LTD

YUCHENG ELECTRONICS 深圳市裕诚电子有限公司
SHENZHEN YUCHENG ELECTRONICS CO.,LTD

APPROVED:	WEI JIE
CHECKED:	HONG JIN YUN
DRAWING:	CHEN YA

GENERAL TOLERANCES		TITLE:	
30~以上	±0.30	TACT SWITCH	
10~30	±0.20	PART NO:	
5~10	±0.15	M2-3967D-NO.1	
~ 5	±0.10	WEBSITE :	
~ 1	±0.05	www.ycelectron.com	
SHEET:	1 / 1	REV: A	UNIT: mm
		SCALE: /	SHEET: A4

