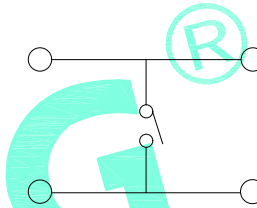
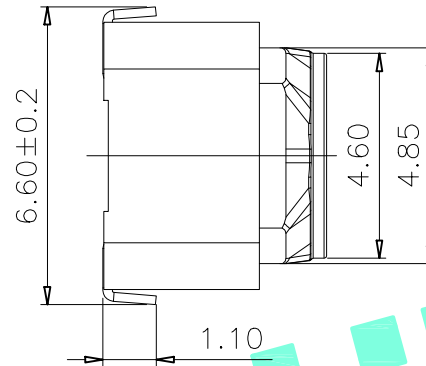
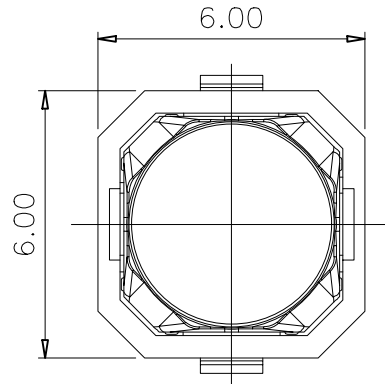


RoHS Compliant

REV. A/0	DESCRIPTION NEW	DESIGN CWF	DATE
-------------	--------------------	---------------	------

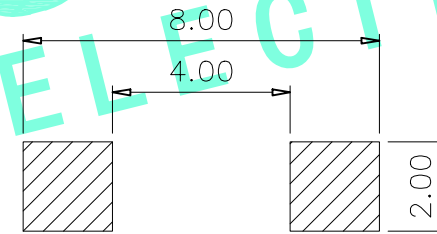
Typical Specifications :
 1. Rating : DC 12V 20mA
 2. Life:100,000 Cycles Min.



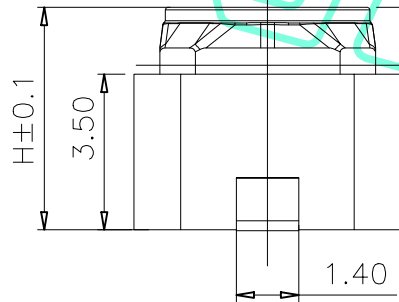
Circuit Diagram

UCHENG
ELECTRONICS

Travel



PCB Layout(Pattern side)



NO.1		
PART NO	H	Travel(L)
A	4.3	0.8±0.25
C	5	1.3±0.30

NO.2	
PART NO	vigor
3	180±30
4	250±30

ITEM	PART NAME	QTY.	MATERIAL	FINISHING
⑤	Silica gel	1	Silica gel	——
④	Terminal	2	Brass	Plating silver
③	Contact	1	Copper Alloy	Plating silver
②	Base	1	LCP	Black
①	Keystoke	1	PA	Black

THESE DRAWINGS AND SPECIFICATIONS ARE THE PROPERTY OF SHENZHEN YUCHENG ELECTRONICS, LTD AND SHALL NOT BE REPRODUCED, COPIED OR USED IN ANY MANNER WITHOUT THE PRIOR WRITTEN CONSENT OF SHENZHEN YUCHENG ELECTRONICS, LTD



深圳市裕诚电子有限公司
SHENZHEN YUCHENG ELECTRONICS CO.,LTD

APPROVED:	WEI JIE	GENERAL TOLERANCES	TITLE:	TACT SWITCH
CHECKED:	HONG JIN YUN	30~以上 ±0.30	PART NO:	M2-1870A-NO.1/2
DRAWING:	CHEN YA	10~30 ±0.20	WEBSITE:	www.ycelectron.com
		5~10 ±0.15	REV: A	UNIT: mm
		~ 5 ±0.10		SCALE: /
		SHEET: 1 / 1		SHEET: A4

