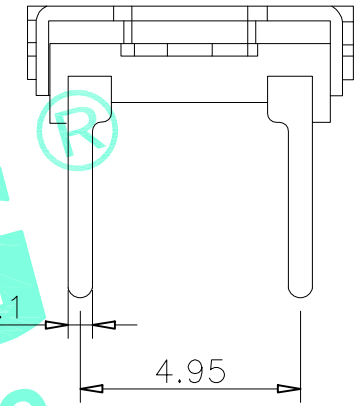
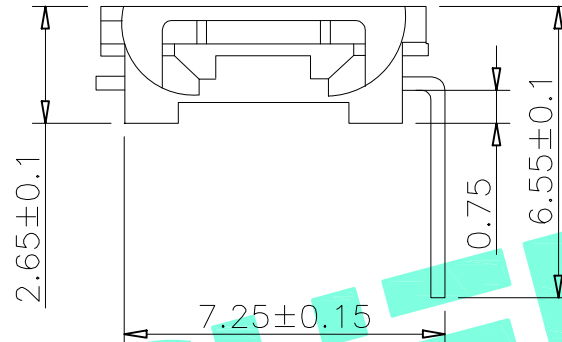
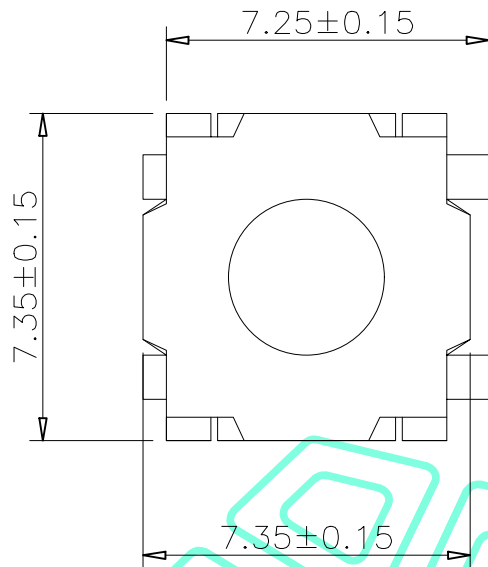


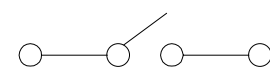
RoHS Compliant

| | | | |
|-------------|--------------------|---------------|------|
| REV. A/0 | DESCRIPTION NEW | DESIGN CWF | DATE |
|-------------|--------------------|---------------|------|

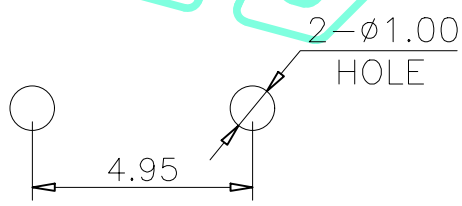


| | |
|---------|--------|
| NO.1 | |
| PART NO | VIGOR |
| 3 | 180±40 |

- Typical Specifications
- 1.Rating : DC 12V 50mA
 - 2.Contact Resistance: ≤100mΩ
 - 3.Insulation Resistance: ≥100mΩ DC250V
 - 4.Travel:0.3±0.1mm
 - 5.Life : 100,000 Cycles



Circuit Diagram



PCB Layout(Pattern side)

| ⑤ | Waterproof Silicone | 1 | Silica gel | Gray |
|------|---------------------|------|-------------|----------------|
| ④ | Terminal | 2 | Brass(0.3t) | Plating silver |
| ③ | Contact | 1 | F.Ag/SUS | White |
| ② | Base | 1 | PPA | Blue |
| ① | Cover | 1 | Brass | Plating Nickel |
| ITEM | PART NAME | QTY. | MATERIAL | FINISHING |

THESE DRAWINGS AND SPECIFICATIONS ARE THE PROPERTY OF SHENZHEN YUCHENG ELECTRONICS,LTD.AND SHALL NOT BE REPRODUCED,COPIED OR USED IN ANY MANNER WITHOUT THE PRIOR WRITTEN CONSENT OF SHENZHEN YUCHENG ELECTRONICS,LTD

APPROVED: WEI JIE
 CHECKED: HONG JIN YUN
 DRAWING: CHEN YA

UCHENG ELECTRONICS 深圳市裕诚电子有限公司
 SHENZHEN YUCHENG ELECTRONICS CO.,LTD

| | | | | |
|--------------------|--------------|--------------------|----------|-----------|
| GENERAL TOLERANCES | TITLE: | TACT SWITCH | | |
| 30~以上 ±0.30 | PART NO: | M2-1760P-NO.1 | | |
| 10~30 ±0.20 | WEBSITE: | www.ycelectron.com | | |
| 5~10 ±0.15 | REV: A | UNIT: mm | SCALE: / | SHEET: A4 |
| ~ 5 ±0.10 | SHEET: 1 / 1 | | | |