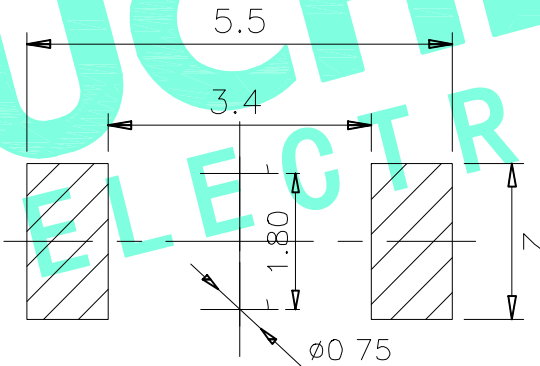
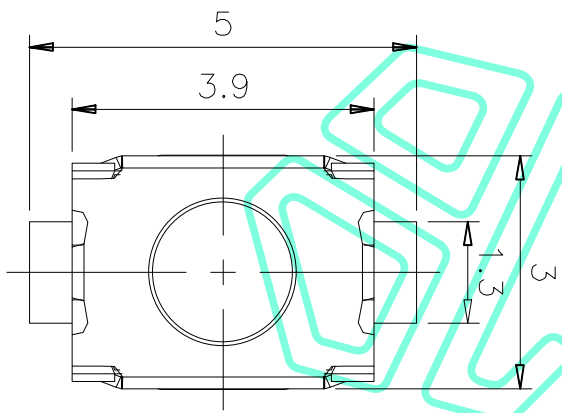
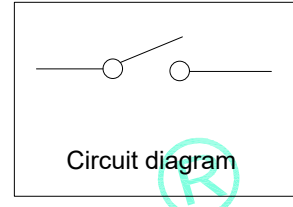
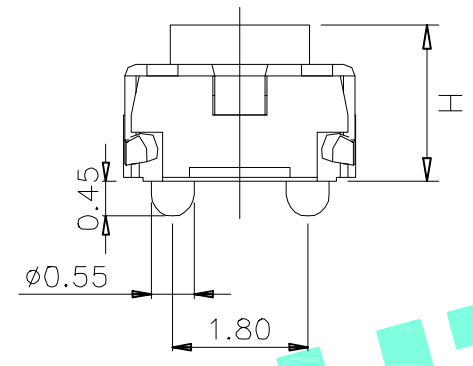
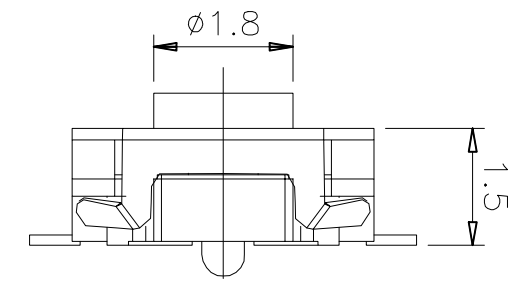


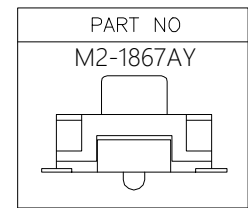
RoHS Compliant

REV. A/0	DESCRIPTION NEW	DESIGN CWF	DATE
-------------	--------------------	---------------	------

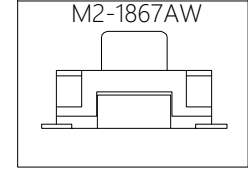


PCB Layout

NO.1	
PART NO	H
A	2.0
B	2.5
C	3.0



NO.2	
PART NO	VIGOR
1	90±30
3	180±30
4	250±30



ITEM	PART NAME	QTY.	MATERIAL	FINISHING
⑥	Dust cover	1	KAPTON FILM	——
⑤	Terminal	2	Phosphor copper	Plating silver
④	Contact	2	F.Ag/SUS	——
③	Base	1	LCP	Black
②	Cover	1	SUS	——
①	Keystoke	1	LCP	Black

THESE DRAWINGS AND SPECIFICATIONS ARE THE PROPERTY OF SHENZHEN YUCHENG ELECTRONICS,LTD.AND SHALL NOT BE REPRODUCED,COPIED OR USED IN ANY MANNER WITHOUT THE PRIOR WRITTEN CONSENT OF SHENZHEN YUCHENG ELECTRONICS,LTD

APPROVED: WEI JIE  
 CHECKED: HONG JIN YUN  
 DRAWING: CHEN YA

**UCHENG** ELECTRONICS 深圳市裕诚电子有限公司  
 SHENZHEN YUCHENG ELECTRONICS CO.,LTD

GENERAL TOLERANCES	TITLE:	TACT SWITCH		
30~以上 ±0.30	PART NO:	M2-1867A-NO.1/2		
10~30 ±0.20	WEBSITE:	www.ycelectron.com		
5~10 ±0.15	REV: A	UNIT: mm	SCALE: /	SHEET: A4
~ 5 ±0.10	SHEET: 1 / 1			

