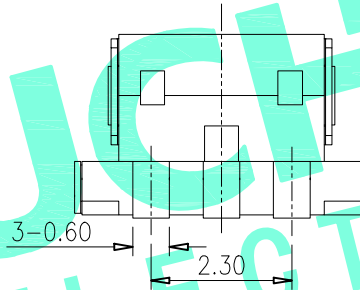
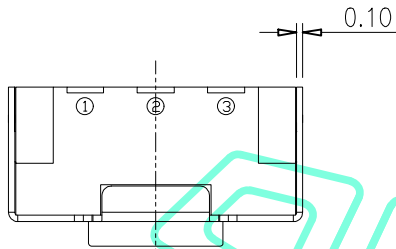
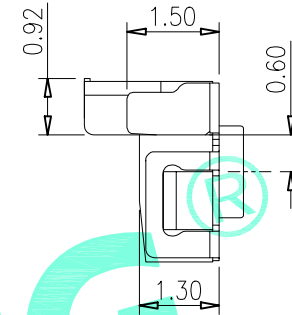
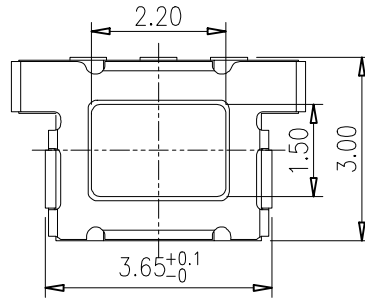
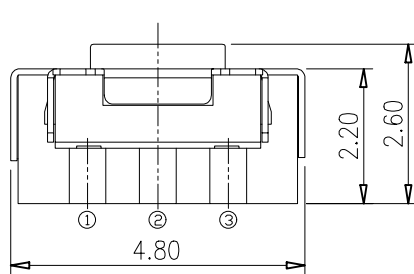


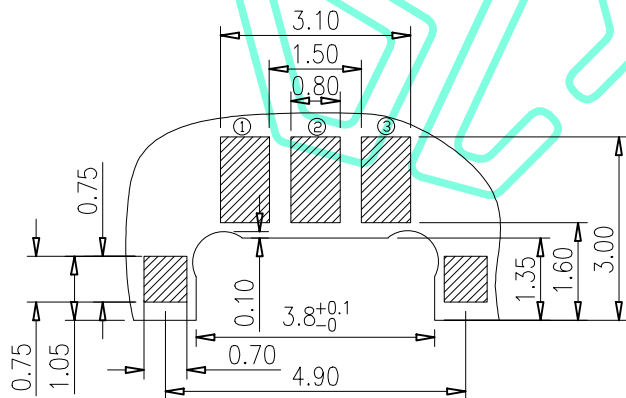
RoHS Compliant

REV. A/0	DESCRIPTION NEW	DESIGN CWF	DATE
-------------	--------------------	---------------	------

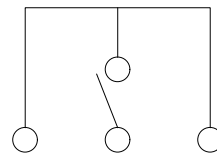


NO.1	
PART NO	vigor
3	180±30
4	250±30

- Notes:
- 1.Rating: 12V DC 50mA
 - 2.Contact resistance: 100mΩ max
 - 3.Insulation resistance: 100MΩ 250v AC for 1min
 - 4.Dielectric strength: 250V AC(50/60hz) for 1min
 - 5.Life test:100,000 Cycles
 - 6.Travel:0.20±0.1mm



PCB Layout (Pattern Side)



Circuit diagram

ITEM	PART NAME	QTY.	MATERIAL	FINISHING
⑤	Terminal	3	Phosphor Bronze	Plating silver
④	Contact	1	SUS	Plating silver
③	Base	1	LCP	Black
②	Cover	1	Brass	Plating silver
①	Keystoke	1	LCP	Black

THESE DRAWINGS AND SPECIFICATIONS ARE THE PROPERTY OF SHENZHEN YUCHENG ELECTRONICS,LTD.AND SHALL NOT BE REPRODUCED,COPIED OR USED IN ANY MANNER WITHOUT THE PRIOR WRITTEN CONSENT OF SHENZHEN YUCHENG ELECTRONICS,LTD



深圳市裕诚电子有限公司
SHENZHEN YUCHENG ELECTRONICS CO.,LTD

APPROVED:	WEI JIE
CHECKED:	HONG JIN YUN
DRAWING:	CHEN YA

GENERAL TOLERANCES	TITLE:	TACT SWITCH		
30~以上 ±0.30	PART NO:	M2-1766A-NO.1		
10~30 ±0.20	WEBSITE:	www.ycelectron.com		
5~10 ±0.15	REV: A	UNIT: mm	SCALE: /	SHEET: A4
~ 5 ±0.10	SHEET: 1 / 1			