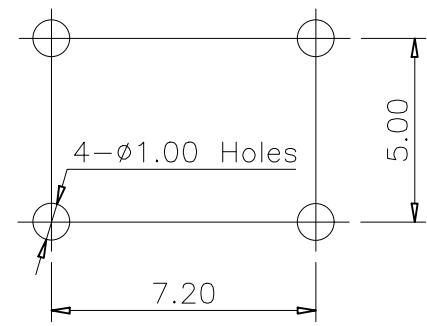
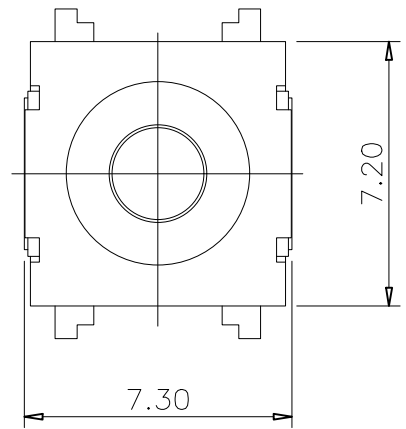
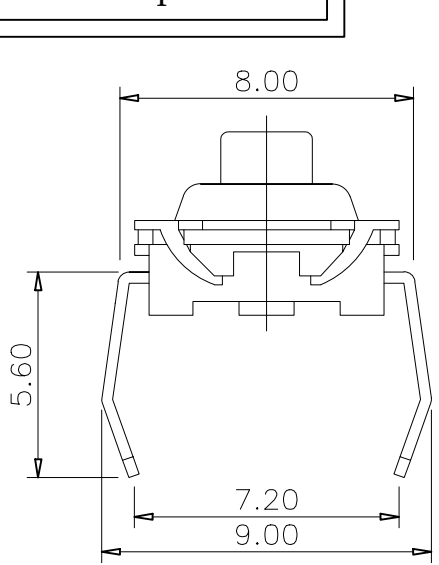
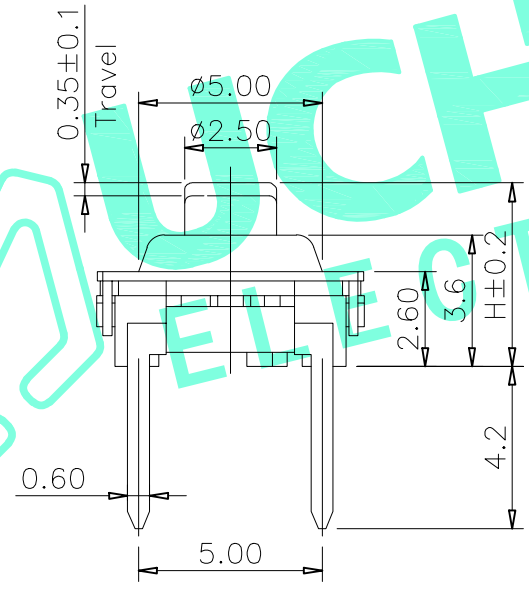
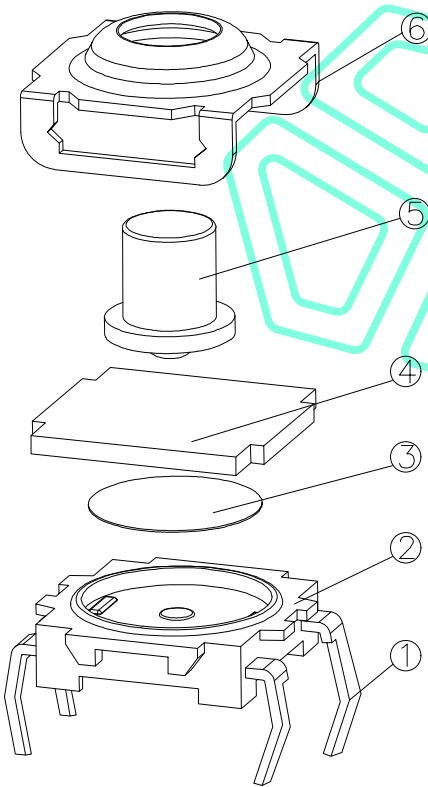


RoHS Compliant

REV. A/0	DESCRIPTION NEW	DESIGN CWF	DATE
----------	-----------------	------------	------



PCB Layout (Pattern side)

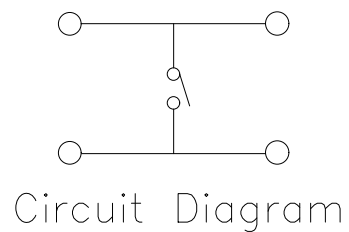


NO.1	
PART NO	H
C	5
G	7
M	9.9

NO.2	
PART NO	vigor
4	250±30
5	350±50

Typical Specifications :  
 1. Rating : DC 12V 50mA  
 2. Life:100,000 Cycles Min.

ITEM	PART NAME	QTY.	MATERIAL	FINISHING
⑥	Cover	1	Brass	Tin Plated
⑤	Keystoke	1	Nylon	Blue
④	Waterproof Silicone	1	Silica gel	—
③	Contact	1	F.Ag/C5210	Plating silver
②	Base	1	PPA	Blue
①	Terminal	4	Copper(0.3t)	Plating silver



THESE DRAWINGS AND SPECIFICATIONS ARE THE PROPERTY OF SHENZHEN YUCHENG ELECTRONICS.,LTD.AND SHALL NOT BE REPRODUCED,COPIED OR USED IN ANY MANNER WITHOUT THE PRIOR WRITTEN CONSENT OF SHENZHEN YUCHENG ELECTRONICS.,LTD

APPROVED: WEI JIE  
 CHECKED: HONG JIN YUN  
 DRAWING: CHEN YA

**UCHENG® 深圳市裕诚电子有限公司**  
ELECTRONICS

GENERAL TOLERANCES	TITLE:	TACT SWITCH
30~以上 ±0.30	PART NO:	M2-1831A-NO.1/2
10~30 ±0.20	WEBSITE:	www.ycelectron.com
5~10 ±0.15	REV: A	UNIT: mm SCALE: / SHEET: A4
~ 5 ±0.10	SHEET: 1 / 1	