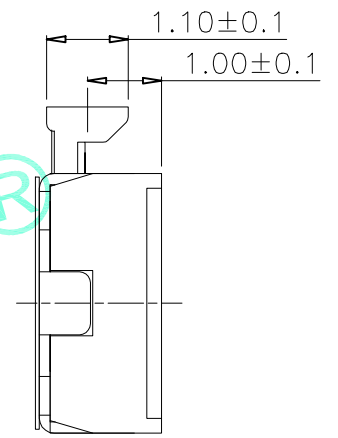
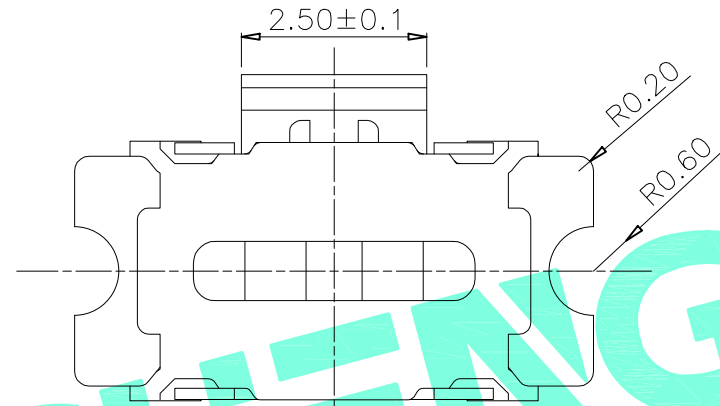
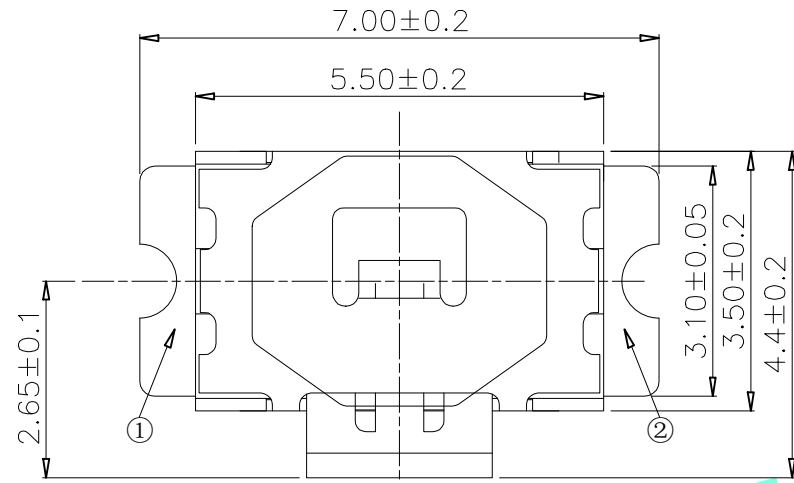
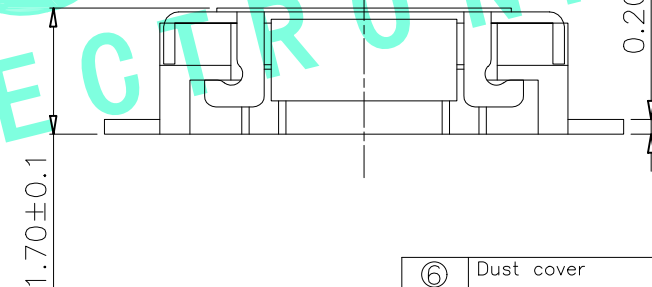


RoHS Compliant

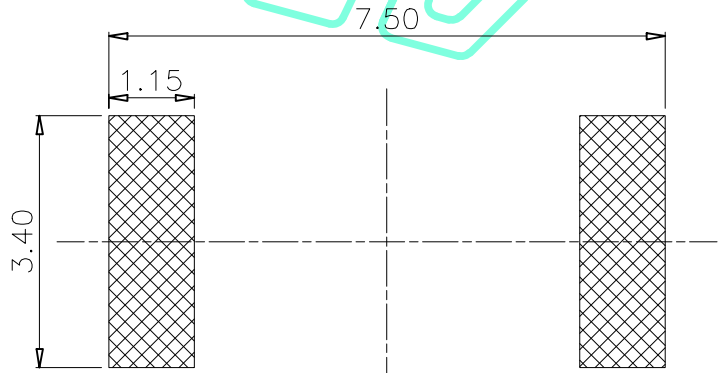
REV. A/0	DESCRIPTION NEW	DESIGN CWF	DATE
----------	-----------------	------------	------



- NOTES:
- ELECTICAL CHARACTERISTICS:
 - 1-1. CONTACT CURRENT RATING: 50mA.
 - 1-2. CONTACT VOLTAGE RATING: 12V. DC.
 - 1-3. INSULATION RESISTANCE: 100 MΩ MIN.
 - MECHANICAL CHARACTERISTICS:
 - 2-1. DURABILITY: 100,000 CYCLES.
 - 2-2. TRAVEL: 0.20±0.10mm.



Circuit Diagram



ITEM	PART NAME	QTY.	MATERIAL	FINISHING
⑥	Dust cover	1	PI	Yellow
⑤	Terminal	2	Brass	Plating silver
④	Contact	1	F.Ag/SUS	Plating silver
③	Base	1	LCP	Black
②	Cover	1	SUS	—
①	Knob	1	PPA	Black

THESE DRAWINGS AND SPECIFICATIONS ARE THE PROPERTY OF SHENZHEN YUCHENG ELECTRONICS.,LTD.AND SHALL NOT BE REPRODUCED,COPIED OR USED IN ANY MANNER WITHOUT THE PRIOR WRITTEN CONSENT OF SHENZHEN YUCHENG ELECTRONICS.,LTD

APPROVED: WEI JIE
 CHECKED: HONG JIN YUN
 DRAWING: CHEN YA

YUCHENG ELECTRONICS 深圳市裕诚电子有限公司
 SHENZHEN YUCHENG ELECTRONICS CO.,LTD

GENERAL TOLERANCES	TITLE:	TACT SWITCH		
30~以上 ±0.30	PART NO:	M2-1770A		
10~30 ±0.20	WEBSITE :	www.ycelectron.com		
5~10 ±0.15	REV: A	UNIT: mm	SCALE: /	SHEET: A4
~ 5 ±0.10				
SHEET: 1 / 1				