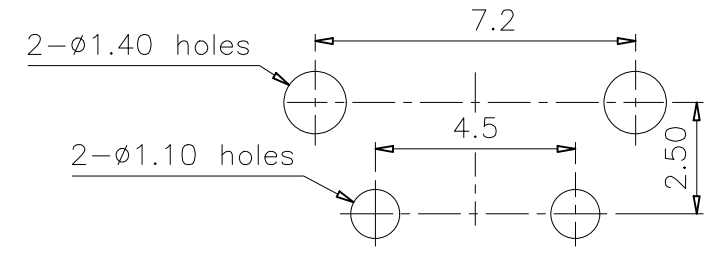
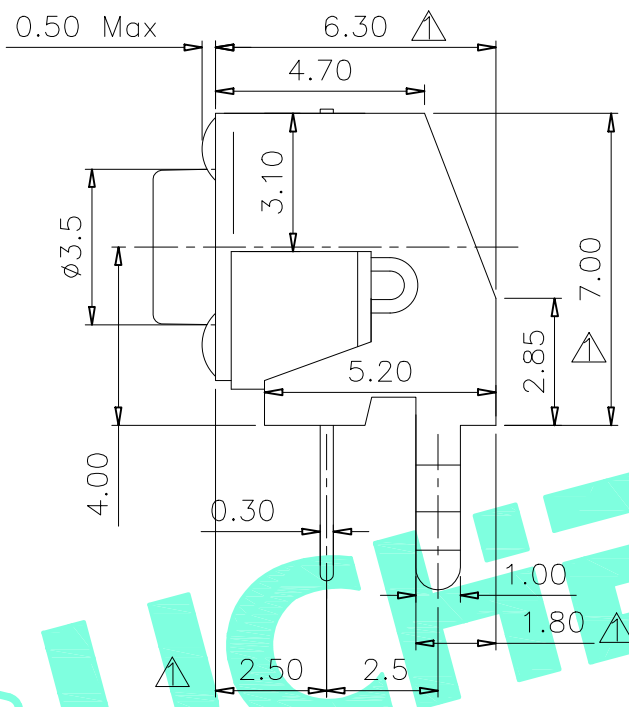
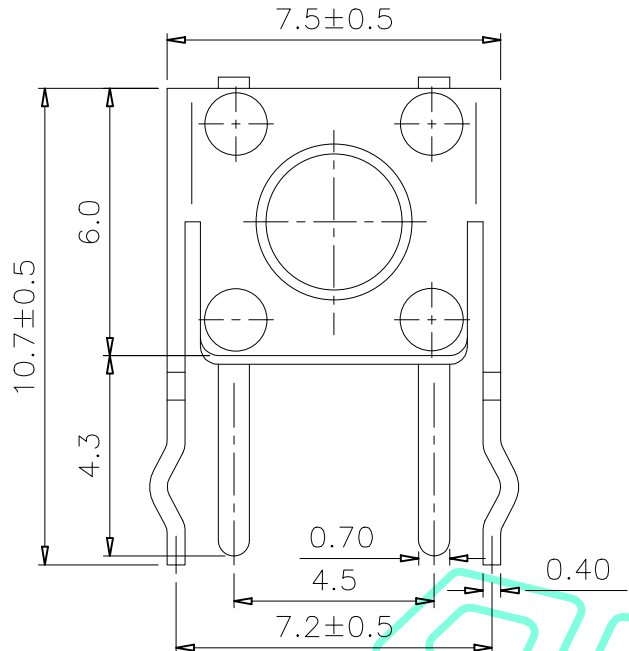


RoHS Compliant

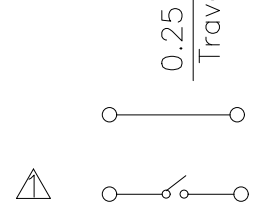
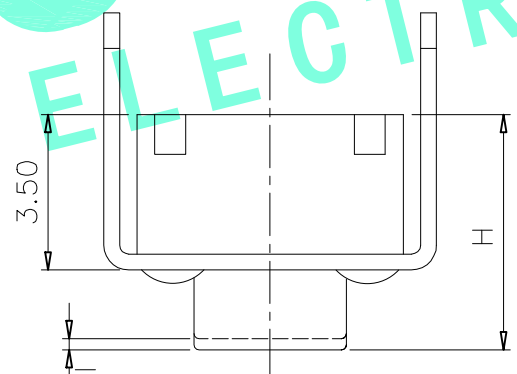
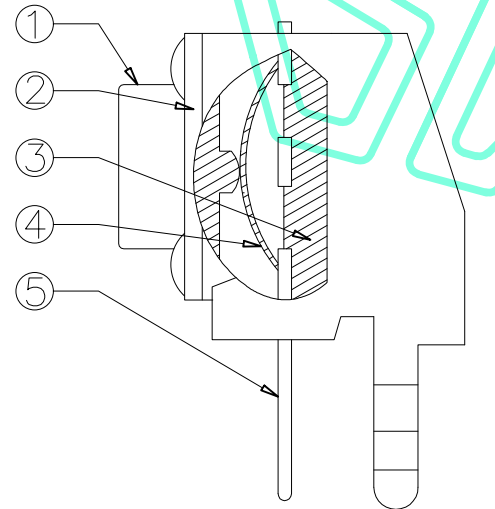
REV. A/0	DESCRIPTION NEW	DESIGN CWF	DATE
----------	-----------------	------------	------



PCB Layout (Pattern side)

NO.1			
PART NO.	H	PART NO.	H
A	4.3	O	11
B	4.5	P	11.5
C	5	Q	12
D	5.5	R	12.5
E	6	S	13
F	6.5	T	13.5
G	7	U	14
H	7.5	V	15
I	8	W	16
J	8.5	X	17
K	9	Y	18
L	9.5	Z	19
M	10	1	15.5
N	10.5		

NO.2	
PART NO.	vigor
1	90±30
2	130±30
3	180±30
4	250±30
5	350±50



Circuit Diagram

⑤	Terminal	4	Brass(0.30t)	Plating silver
④	Contact	1	F.Ag/SUS	
③	Base	1	Nylon	Black
②	Cover	1	SPCC	Plating Nicke
①	Keystoke	1	PA46	Black
ITEM	PART NAME	QTY.	MATERIAL	FINISHING

THESE DRAWINGS AND SPECIFICATIONS ARE THE PROPERTY OF SHENZHEN YUCHENG ELECTRONICS.LTD.AND SHALL NOT BE REPRODUCED.COPIED OR USED IN ANY MANNER WITHOUT THE PRIOR WRITTEN CONSENT OF SHENZHEN YUCHENG ELECTRONICS.LTD

APPROVED: WEI JIE
 CHECKED: HONG JIN YUN
 DRAWING: CHEN YA

YUCHENG ELECTRONICS 深圳市裕诚电子有限公司
 SHENZHEN YUCHENG ELECTRONICS CO.,LTD

GENERAL TOLERANCES		TITLE: TACT SWITCH	
30~以上	±0.30	PART NO: M2-1882A-NO.1/2	
10~30	±0.20	WEBSITE: www.ycelectron.com	
5~10	±0.15	REV: A UNIT: mm SCALE: / SHEET: A4	
~ 5	±0.10		
SHEET: 1 / 1			