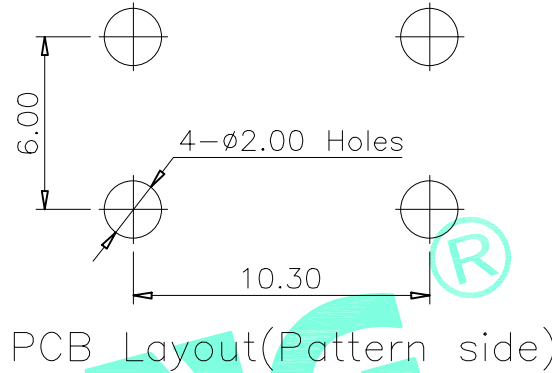
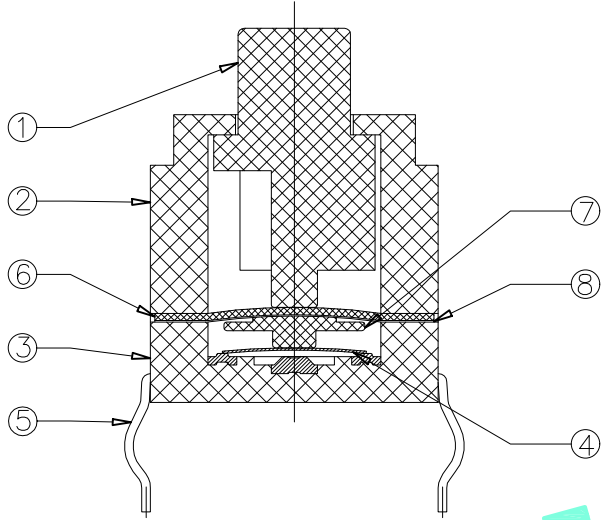
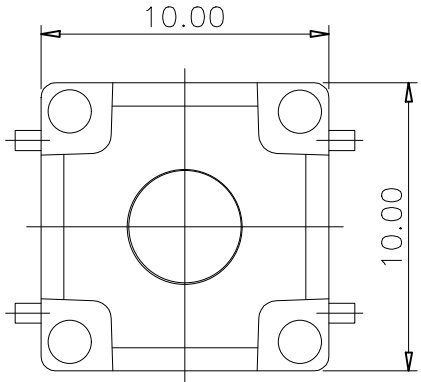


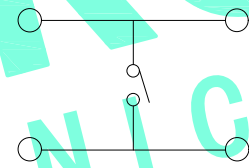
RoHS Compliant

REV. A/0	DESCRIPTION NEW	DESIGN CWF	DATE
-------------	--------------------	---------------	------

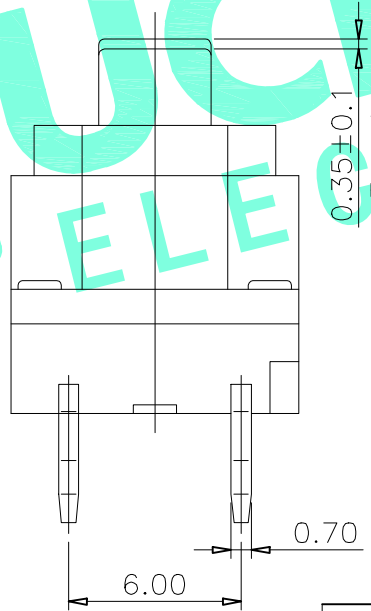
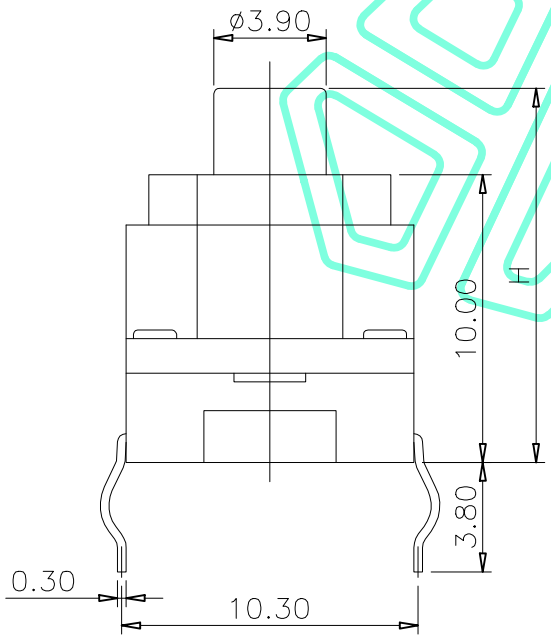


NO.1	
PART NO	H
S	13
T	13.5
U	14
V	15
W	16
X	17
Y	18
Z	19
1	15.5
2	16.5
3	14.5
4	17.5
5	23.2

NO.2	
PART NO	vigor
4	250±30
5	350±50



Circuit Diagram



ITEM	PART NAME	QTY.	MATERIAL	FINISHING
⑧	Dust Cover	1	Kapton Film	Yellow
⑦	Gasket	1	Nylon	Black
⑥	Waterproof Silicone	1	Silica gel	Black
⑤	Terminal	4	Brass(0.3t)	Plating silver
④	Contact	1	F.Ag/C5210	White
③	Base	1	Nylon	Black
②	Cover	1	Nylon	Black
①	Keystoke	1	Nylon	Black

THESE DRAWINGS AND SPECIFICATIONS ARE THE PROPERTY OF SHENZHEN YUCHENG ELECTRONICS.,LTD AND SHALL NOT BE REPRODUCED, COPIED OR USED IN ANY MANNER WITHOUT THE PRIOR WRITTEN CONSENT OF SHENZHEN YUCHENG ELECTRONICS.,LTD

YUCHENG ELECTRONICS 深圳市裕诚电子有限公司
SHENZHEN YUCHENG ELECTRONICS CO.,LTD

APPROVED:	WEI JIE	GENERAL TOLERANCES	TITLE:	TACT SWITCH
CHECKED:	HONG JIN YUN	30~以上 ±0.30	PART NO:	M2-1830D-NO.1/2
DRAWING:	CHEN YA	10~30 ±0.20	WEBSITE:	www.ycelectron.com
		5~10 ±0.15	REV: A	UNIT: mm
		~ 5 ±0.10	SCALE: /	SHEET: A4
		SHEET: 1 / 1		