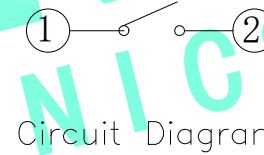
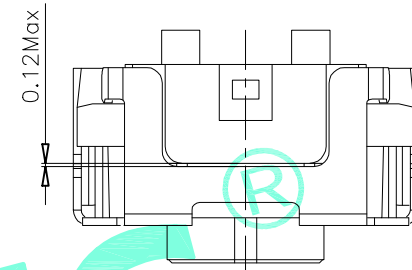
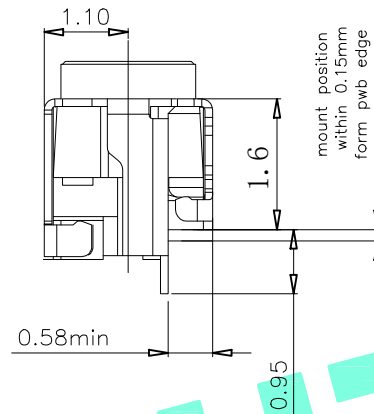
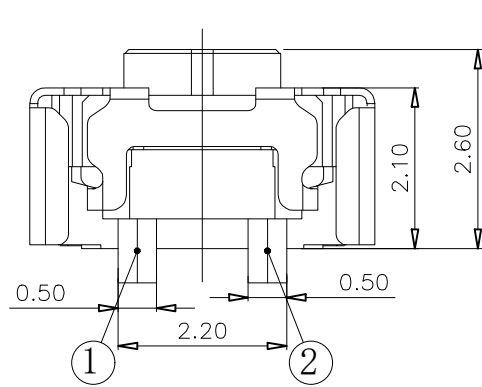
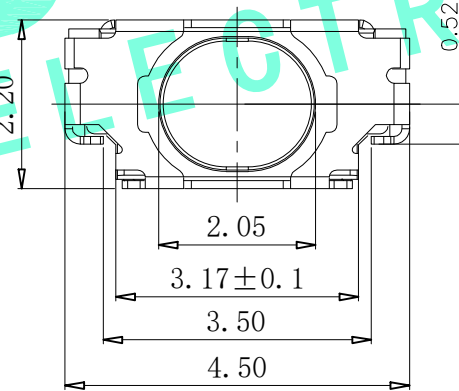
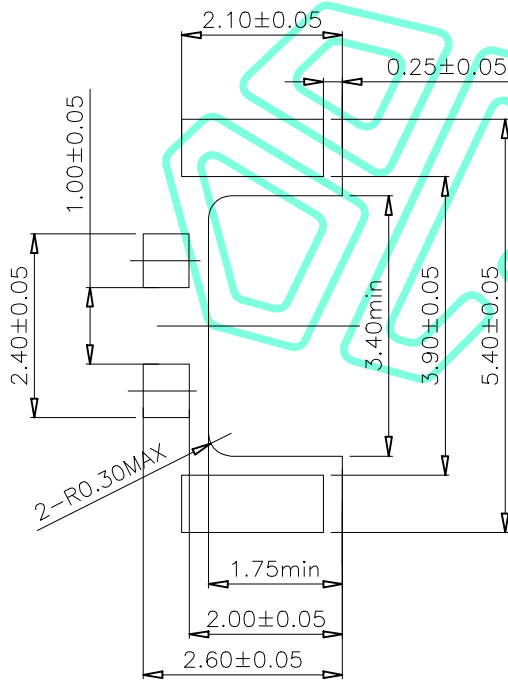


RoHS Compliant

REV. A/0	DESCRIPTION NEW	DESIGN CWF	DATE
-------------	--------------------	---------------	------



NO.1	
PART NO	vigor
3	180±30
4	250±30



Typical Specifications
 1.Rating : DC 12V 50mA
 2.Life : 600,000 Cycles

ITEM	PART NAME	QTY.	MATERIAL	FINISHING
⑥	Dust cover	1	KAPTON FILM	—
⑤	Terminal	2	Phosphor Bronze	Plating silver
④	Contact	2	F.Ag/SUS	—
③	Base	1	LCP	White
②	Cover	1	SUS	Plating Sn
①	Keystoke	1	PA6T	White

THESE DRAWINGS AND SPECIFICATIONS ARE THE PROPERTY OF SHENZHEN YUCHENG ELECTRONICS.LTD.AND SHALL NOT BE REPRODUCED,COPIED OR USED IN ANY MANNER WITHOUT THE PRIOR WRITTEN CONSENT OF SHENZHEN YUCHENG ELECTRONICS.LTD

APPROVED: WEI JIE
 CHECKED: HONG JIN YUN
 DRAWING: CHEN YA

UCHENG 深圳市裕诚电子有限公司
 ELECTRONICS SHENZHEN YUCHENG ELECTRONICS CO.,LTD

GENERAL TOLERANCES	TITLE:	TACT SWITCH		
30~以上 ±0.30	PART NO:	M2-1767P-NO.1		
10~30 ±0.20	WEBSITE :	www.ycelectron.com		
5~10 ±0.15	REV: A	UNIT: mm	SCALE: /	SHEET: A4
~ 5 ±0.10	SHEET: 1 / 1			

PCB Layout(Pattern side)