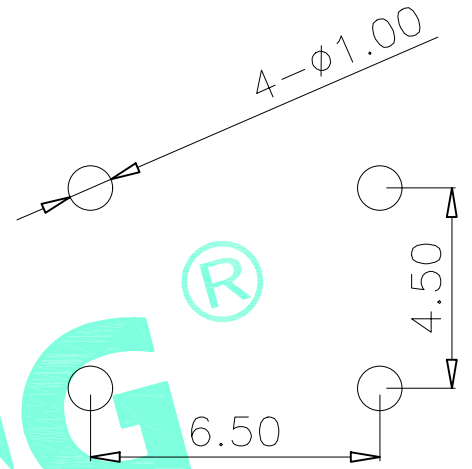
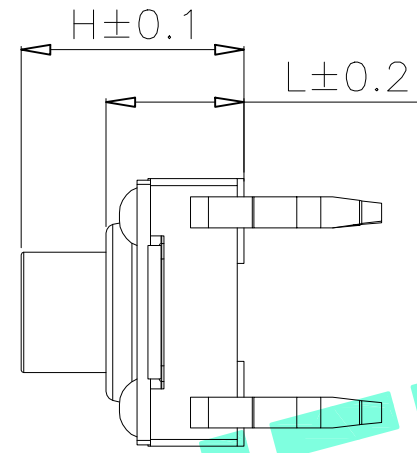
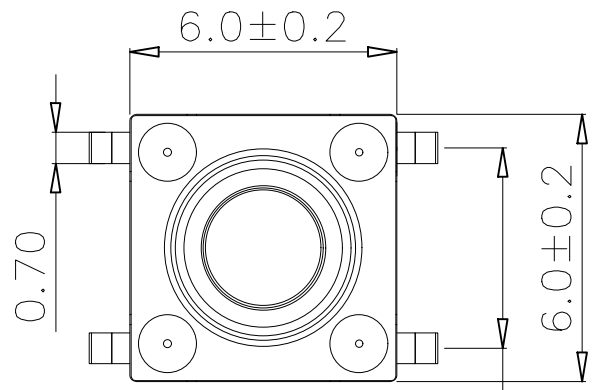
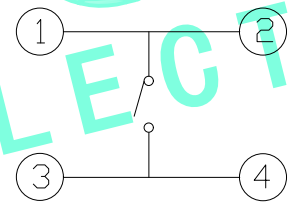
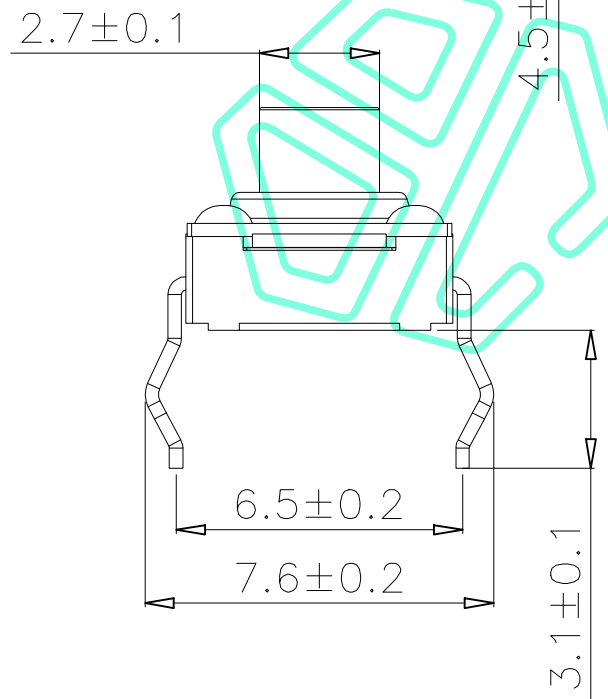


RoHS Compliant

REV. A/0	DESCRIPTION NEW	DESIGN CWF	DATE
----------	-----------------	------------	------



PCB Layout(Pattern side)



Circuit Diagram

NOTE:  
 Rating: DC 12V 50mA  
 Forcel: 250±50gf  
 Travel: 0.3±0.1mm  
 Life: 100,000 Cycles  
 Waterproof: IP67

NO.1			
PART NO	H	L	Keystoke
B	3.3	2.8	Black
A	4.3	3.15	Red
C	5.0		
G	7.0		
H	4.5		

ITEM	PART NAME	QTY.	MATERIAL	FINISHING
⑥	Waterproof pad	1	Silica gel	Black
⑤	Terminal	4	Brass	Plating silver
④	Contact	1	F.Ag/SUS	—
③	Base	1	PPA	Black
②	Cover	1	SUS	—
①	Keystoke	1	PPA	Red/Black

THESE DRAWINGS AND SPECIFICATIONS ARE THE PROPERTY OF SHENZHEN YUCHENG ELECTRONICS.,LTD.AND SHALL NOT BE REPRODUCED,COPIED OR USED IN ANY MANNER WITHOUT THE PRIOR WRITTEN CONSENT OF SHENZHEN YUCHENG ELECTRONICS.,LTD

APPROVED: WEI JIE  
 CHECKED: HONG JIN YUN  
 DRAWING: CHEN YA

**UCHENG®** 深圳市裕诚电子有限公司  
 ELECTRONICS SHENZHEN YUCHENG ELECTRONICS CO.,LTD

GENERAL TOLERANCES	TITLE:	TACT SWITCH		
30~以上 ±0.30	PART NO:	M2-1819A-NO.1		
10~30 ±0.20	WEBSITE:	www.ycelectron.com		
5~10 ±0.15	REV: A	UNIT: mm	SCALE: /	SHEET: A4
~ 5 ±0.10	SHEET: 1 / 1			