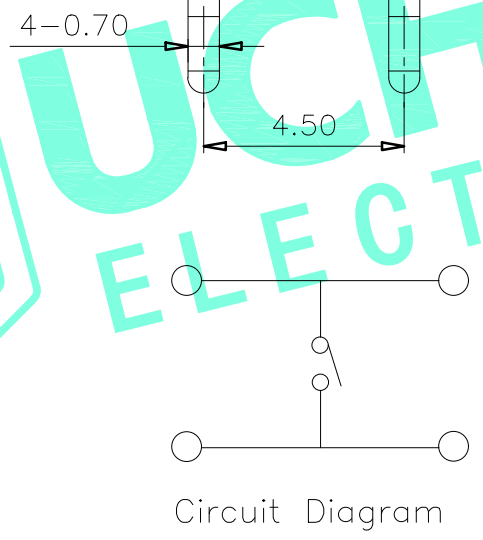
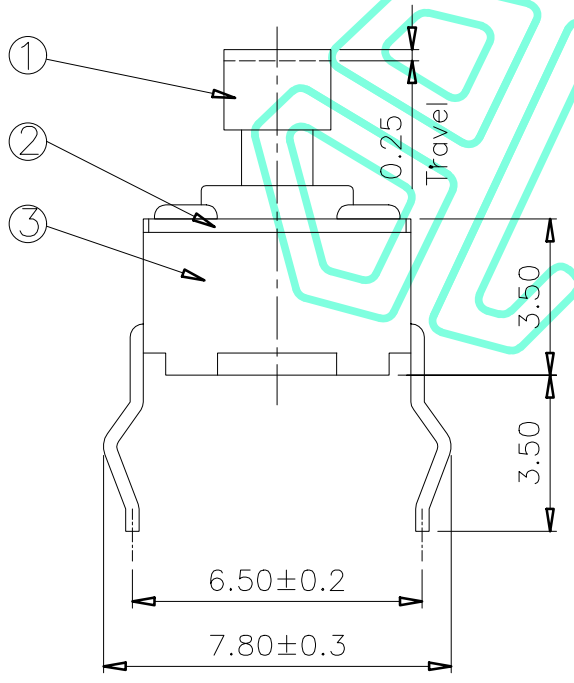
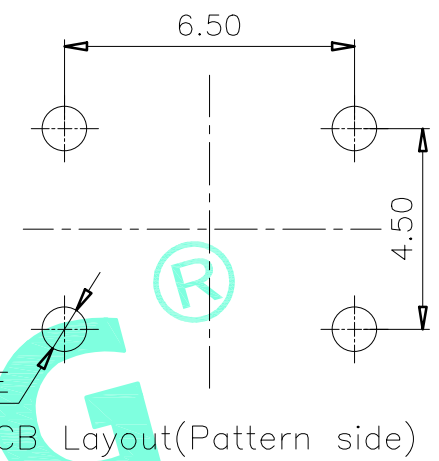
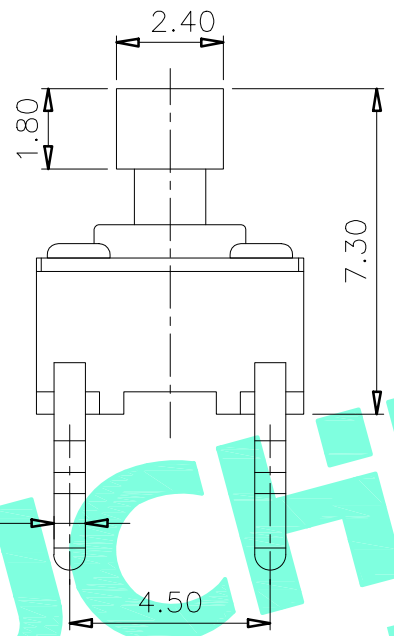
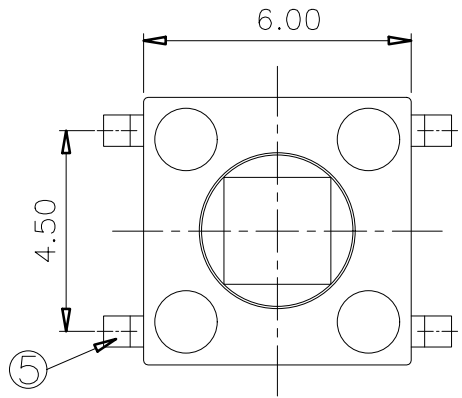


RoHS Compliant

REV. A/0	DESCRIPTION NEW	DESIGN CWF	DATE
----------	-----------------	------------	------



NO.1	
PART NO	vigor
1	90±30
2	130±30
3	180±30
4	250±30
5	350±50

⑤	Terminal	4	Brass(0.30t)	Plating silver
④	Contact	1	F.Ag/SUS	_____
③	Base	1	Nylon	Black
②	Cover	1	SPCC	Plating Nickel
①	Keystoke	1	Nylon	Black
ITEM	PART NAME	QTY.	MATERIAL	FINISHING

THESE DRAWINGS AND SPECIFICATIONS ARE THE PROPERTY OF SHENZHEN YUCHENG ELECTRONICS.,LTD.AND SHALL NOT BE REPRODUCED,COPIED OR USED IN ANY MANNER WITHOUT THE PRIOR WRITTEN CONSENT OF SHENZHEN YUCHENG ELECTRONICS.,LTD

APPROVED: WEI JIE
 CHECKED: HONG JIN YUN
 DRAWING: CHEN YA

UCHENG® 深圳市裕诚电子有限公司
 ELECTRONICS SHENZHEN YUCHENG ELECTRONICS CO.,LTD

GENERAL TOLERANCES	TITLE:	TACT SWITCH
30~以上 ±0.30	PART NO:	M2-1883D-NO.1
10~30 ±0.20	WEBSITE:	www.ycelectron.com
5~10 ±0.15	REV: A	UNIT: mm
~ 5 ±0.10	SHEET: 1 / 1	SCALE: /
		SHEET: A4