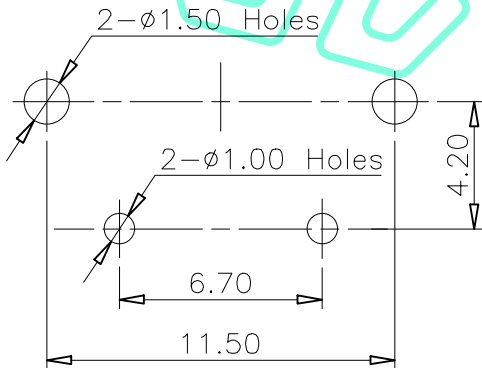
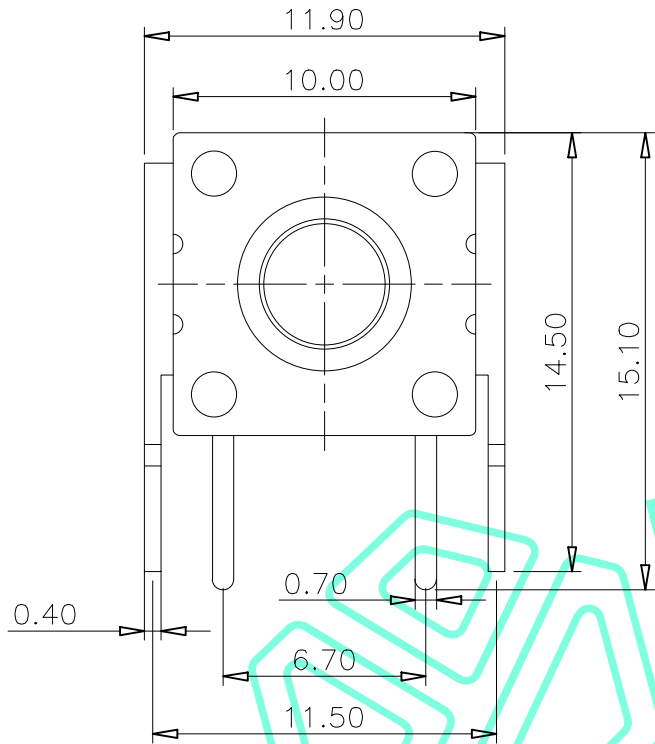
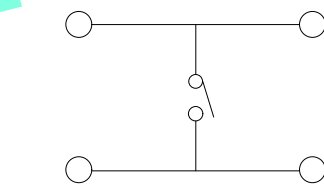
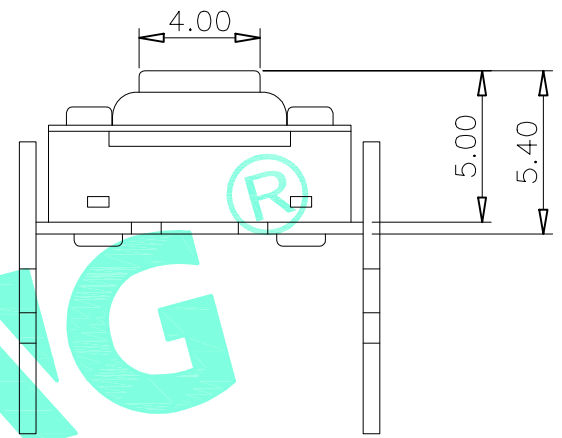
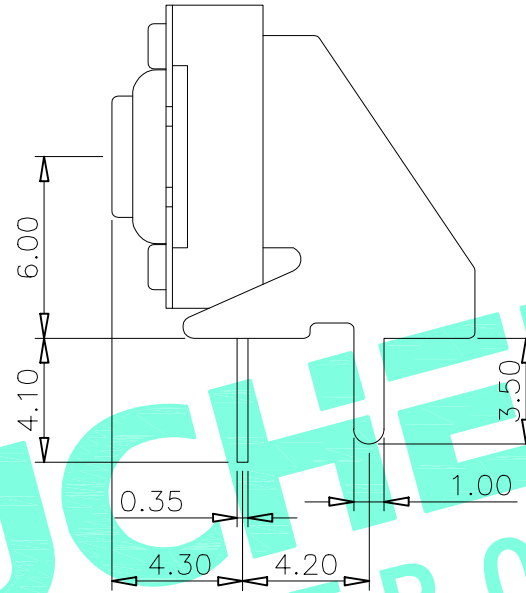


RoHS Compliant

REV. A/0	DESCRIPTION NEW	DESIGN CWF	DATE
-------------	--------------------	---------------	------



PCB Layout (Pattern side)



Circuit Diagram

Typical Specifications :
 1. Rating : DC 12V 50mA
 2. Life:100,000 Cycles Min.

NO.1	
PART NO	vigor
4	250±30

⑦	Gasket	1	Nylon	——
⑥	Waterproof Silicone	1	Silica gel	——
⑤	Terminal	4	Brass(0.3t)	Plating silver
④	Contact	1	F.Ag/SUS	——
③	Base	1	Nylon	Black
②	Cover	1	SUS	——
①	Keystoke	1	Nylon	Red
ITEM	PART NAME	QTY.	MATERIAL	FINISHING

THESE DRAWINGS AND SPECIFICATIONS ARE THE PROPERTY OF SHENZHEN YUCHENG ELECTRONICS,LTD.AND SHALL NOT BE REPRODUCED,COPIED OR USED IN ANY MANNER WITHOUT THE PRIOR WRITTEN CONSENT OF SHENZHEN YUCHENG ELECTRONICS,LTD

UCHENG® 深圳市裕诚电子有限公司
 ELECTRONICS SHENZHEN YUCHENG ELECTRONICS CO.,LTD

APPROVED:	WEI JIE	GENERAL TOLERANCES	TITLE:	TACT SWITCH
CHECKED:	HONG JIN YUN	30~以上 ±0.30	PART NO:	M2-1757A-NO.1
DRAWING:	CHEN YA	10~30 ±0.20	WEBSITE :	www.ycelectron.com
		5~10 ±0.15	REV: A	UNIT: mm
		~ 5 ±0.10		SCALE: /
		SHEET: 1 / 1		SHEET: A4

