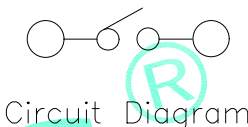
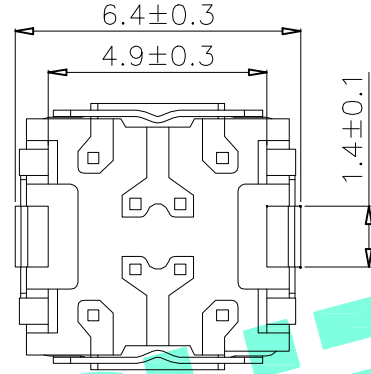
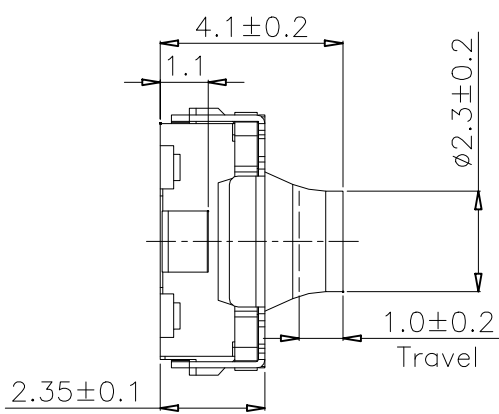
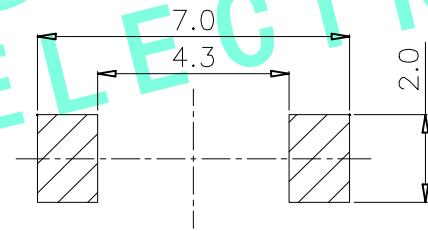
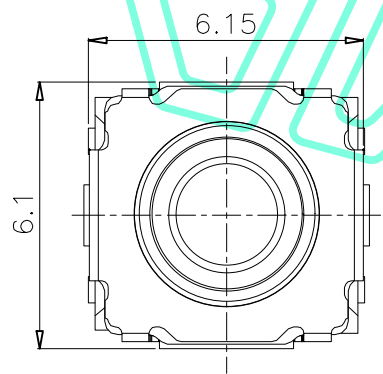


RoHS Compliant

REV. A/0	DESCRIPTION NEW	DESIGN CWF	DATE
-------------	--------------------	---------------	------



- Typical Specifications :
1. Rating : DC 12V 50mA
  2. Insulation resistance:  $\geq 100M\Omega$
  3. Withstand voltage: AC 250V/1min
  4. Forcel:  $350\pm 80gf$
  5. Life: 300,000 Cycles Min.



PCB Layout(Pattern side)

⑥	Internal buttons	1	PPA	Black
⑤	Terminal	4	Brass(0.3t)	Plating silver
④	Contact	2	F.Ag/SUS	——
③	Base	1	LCP	Black
②	Cover	1	SUS	——
①	Keystoke	1	silica gel	——
ITEM	PART NAME	QTY.	MATERIAL	FINISHING

THESE DRAWINGS AND SPECIFICATIONS ARE THE PROPERTY OF SHENZHEN YUCHENG ELECTRONICS ,LTD.AND SHALL NOT BE REPRODUCED,COPIED OR USED IN ANY MANNER WITHOUT THE PRIOR WRITTEN CONSENT OF SHENZHEN YUCHENG ELECTRONICS.,LTD

APPROVED: WEI JIE

CHECKED: HONG JIN YUN

DRAWING: CHEN YA

**UCHENG®** 深圳市裕诚电子有限公司  
ELECTRONICS SHENZHEN YUCHENG ELECTRONICS CO.,LTD

GENERAL TOLERANCES	TITLE:	TACT SWITCH		
30~以上 ±0.30	PART NO:	M2-1772A		
10~30 ±0.20	WEBSITE :	www.ycelectron.com		
5~10 ±0.15	REV: A	UNIT: mm	SCALE: /	SHEET: A4
~ 5 ±0.10				
SHEET: 1 / 1				