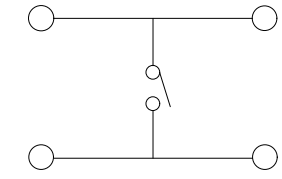
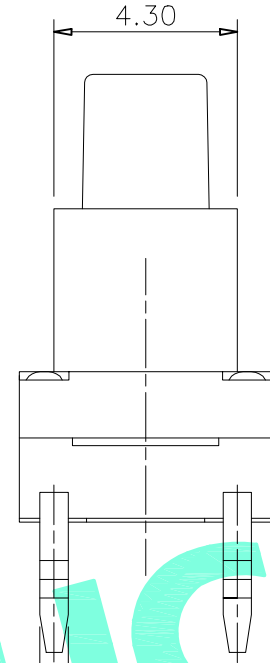
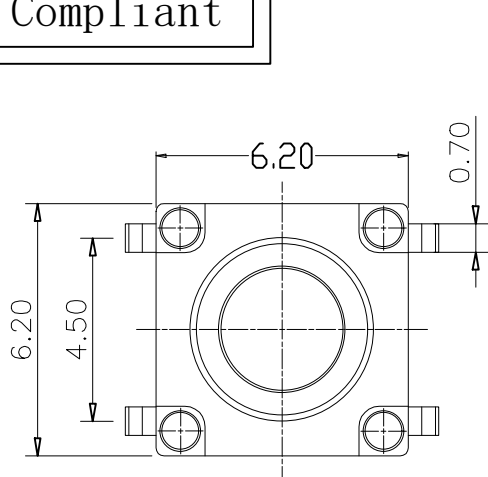
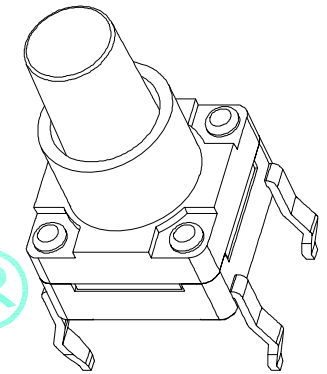


RoHS Compliant

REV. A/0	DESCRIPTION NEW	DESIGN CWF	DATE
----------	-----------------	------------	------



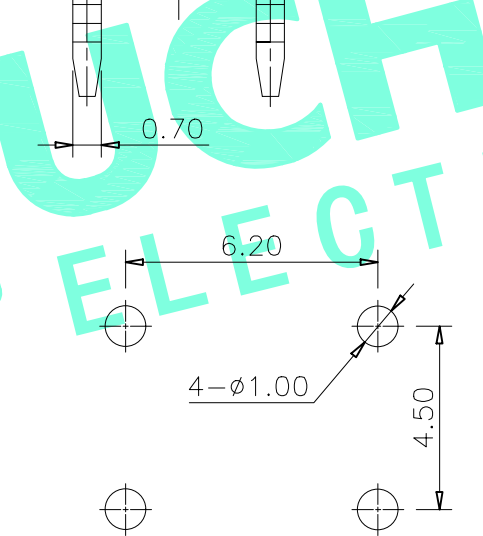
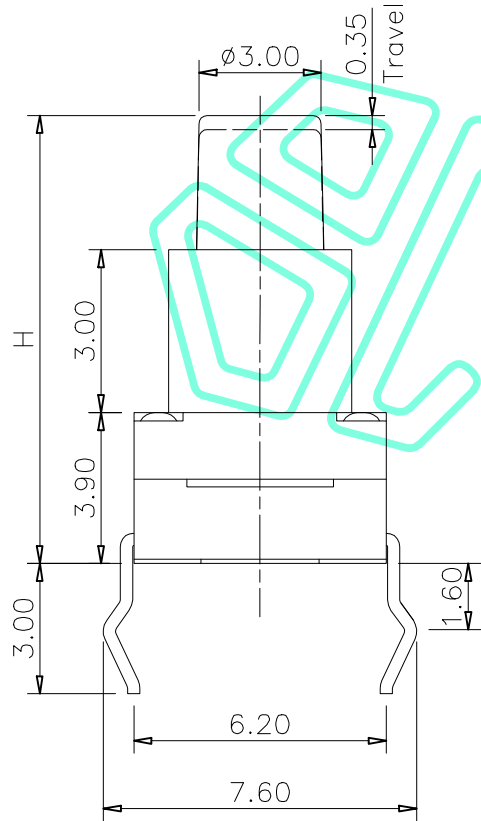
Circuit Diagram



- Typical Specifications
1. Rating : DC 12V 50mA
 2. Contact Resistance: $\leq 100\text{m}\Omega$
 3. Life : 50,000 Cycles
 4. IP Rating: IP67

NO.1			
PART NO	H	PART NO	H
K	9	T	13.5
L	9.5	U	14
M	10	V	15
N	10.5	W	16
O	11	X	17
P	11.5	Y	18
Q	12	Z	19
R	12.5	1	15.5
S	13	2	16.5

NO.2	
PART NO	vigor
4	250 \pm 30
5	350 \pm 50



PCB Layout(Pattern side)

⑥	Waterproof Silicone	1	Silica gel	——
⑤	Terminal	4	Brass(0.3t)	Plating silver
④	Contact	1	F.Ag/C5210	——
③	Base	1	Nylon	Black
②	Cover	1	Nylon	——
①	Keystoke	1	Nylon	Black
ITEM	PART NAME	QTY.	MATERIAL	FINISHING

THESE DRAWINGS AND SPECIFICATIONS ARE THE PROPERTY OF SHENZHEN YUCHENG ELECTRONICS ,LTD.AND SHALL NOT BE REPRODUCED,COPIED OR USED IN ANY MANNER WITHOUT THE PRIOR WRITTEN CONSENT OF SHENZHEN YUCHENG ELECTRONICS ,LTD

APPROVED: WEI JIE
 CHECKED: HONG JIN YUN
 DRAWING: CHEN YA

UCHENG 深圳市裕诚电子有限公司
 ELECTRONICS SHENZHEN YUCHENG ELECTRONICS CO.,LTD

GENERAL TOLERANCES	TITLE:	TACT SWITCH		
30~以上 ± 0.30	PART NO:	M2-1829G-NO.1/2		
10~30 ± 0.20	WEBSITE:	www.ycelectron.com		
5~10 ± 0.15	REV: A	UNIT: mm	SCALE: /	SHEET: A4
~ 5 ± 0.10	SHEET: 1 / 1			