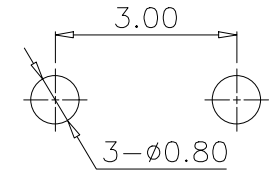
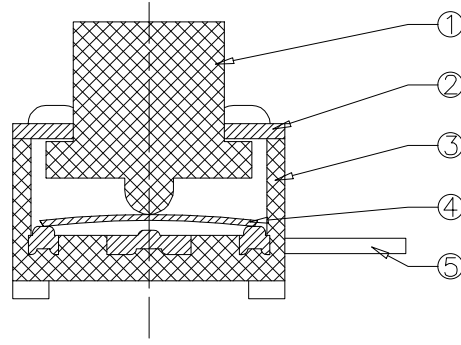
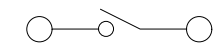
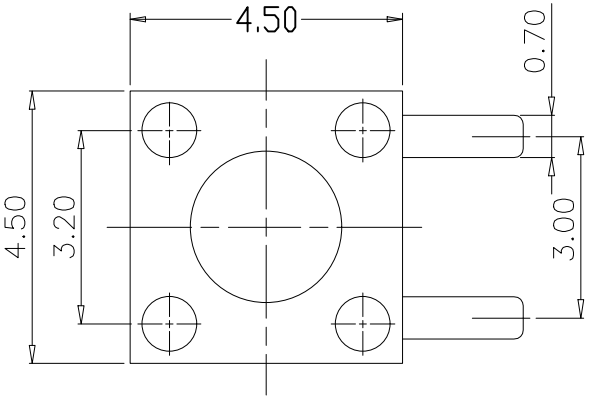


RoHS Compliant

REV. A/0	DESCRIPTION NEW	DESIGN CWF	DATE
----------	-----------------	------------	------



PCB Layout(Pattern Side)



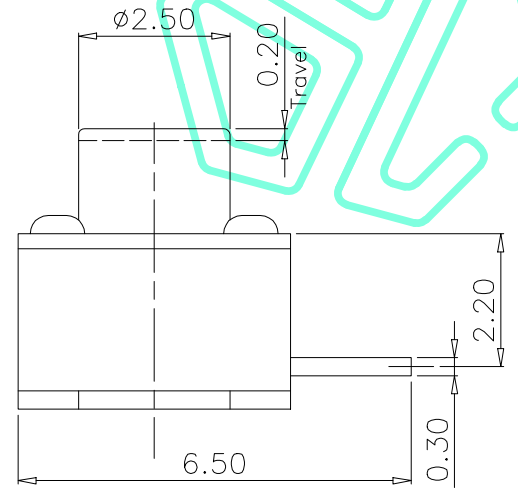
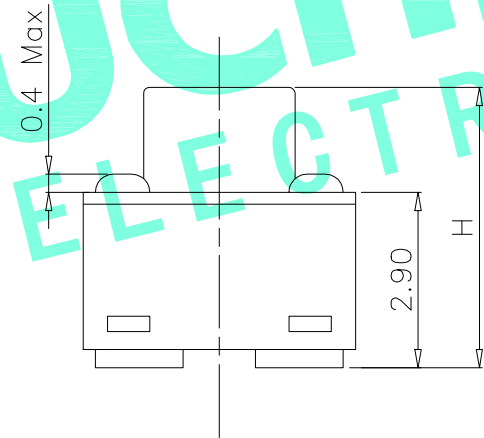
Circuit diagram

NO.1

PART NO	H
A	3.8
B	4.3
C	4.8
D	5
E	5.5
F	6
G	6.5
H	7
I	7.5
J	8
K	8.5
L	9

NO.2

PART NO	vigor
1	90±30
2	130±30
3	180±30
4	250±30
5	350±50



⑤	Terminal	3	Brass(0.30t)	Plating silver
④	Contact	1	F.Ag/SUS	—
③	Base	1	PA46	Black
②	Cover	1	SUS	—
①	Keystoke	1	PA46	Black
ITEM	PART NAME	QTY.	MATERIAL	FINISHING

THESE DRAWINGS AND SPECIFICATIONS ARE THE PROPERTY OF SHENZHEN YUCHENG ELECTRONICS.LTD.AND SHALL NOT BE REPRODUCED,COPIED OR USED IN ANY MANNER WITHOUT THE PRIOR WRITTEN CONSENT OF SHENZHEN YUCHENG ELECTRONICS.LTD

APPROVED: WEI JIE  
 CHECKED: HONG JIN YUN  
 DRAWING: CHEN YA

**YUCHENG ELECTRONICS** 深圳市裕诚电子有限公司  
 SHENZHEN YUCHENG ELECTRONICS CO.,LTD

GENERAL TOLERANCES	TITLE:	TACT SWITCH		
30~以上 ±0.30	PART NO:	M2-1816A-NO.1/2		
10~30 ±0.20	WEBSITE:	www.ycelectron.com		
5~10 ±0.15	REV: A	UNIT: mm	SCALE: /	SHEET: A4
~ 5 ±0.10	SHEET: 1 / 1			