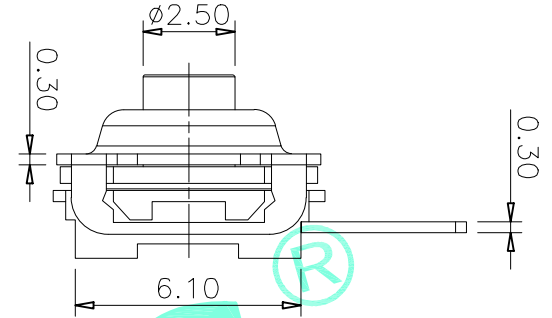
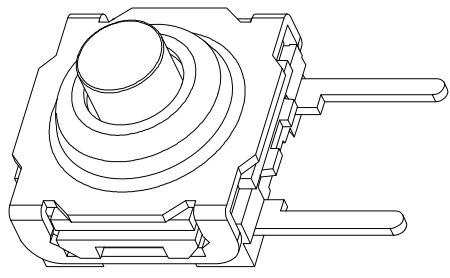
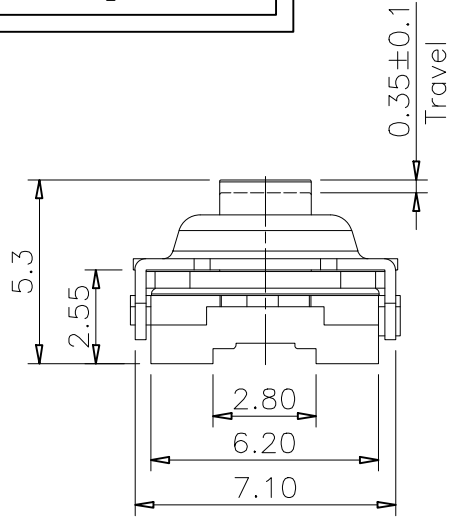
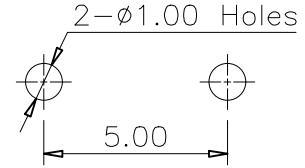
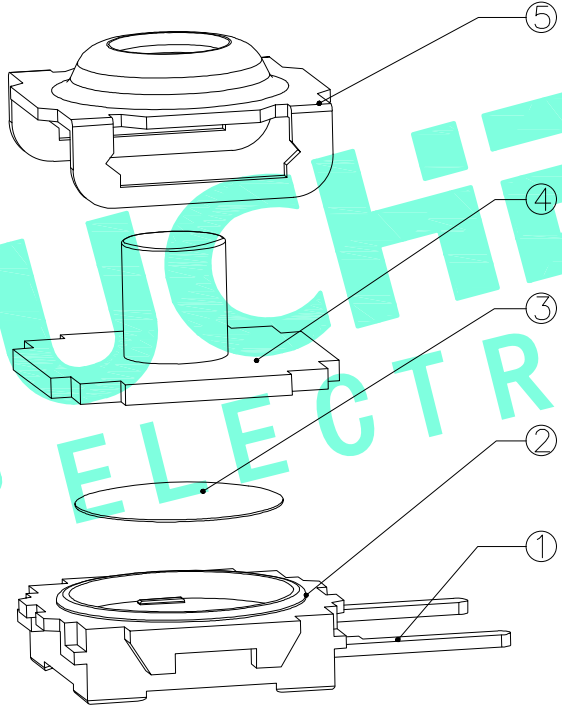
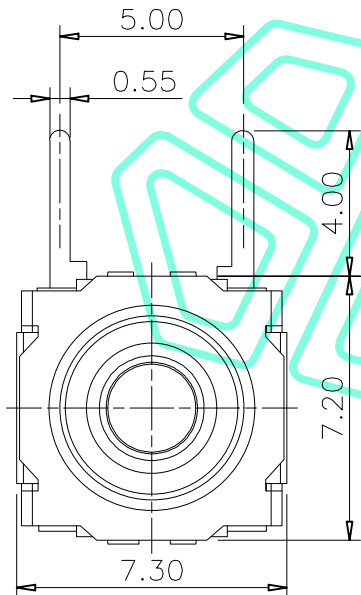


RoHS Compliant

REV. A/0	DESCRIPTION NEW	DESIGN CWF	DATE
----------	-----------------	------------	------



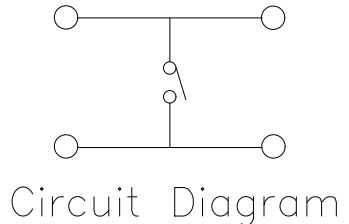
NO.1	
PART NO	vigor
4	250±30
5	350±50



PCB Layout(Pattern side)

⑤	Cover	1	Brass	Tin Plated
④	Keystoke	1	Silica gel	Red
③	Contact	1	F.Ag/C5210	Plating silver
②	Base	1	PPA	Black
①	Terminal	4	Copper(0.3t)	Plating silver
ITEM	PART NAME	QTY.	MATERIAL	FINISHING

Typical Specifications :
 1. Rating : DC 12V 50mA
 2. Life:100,000 Cycles Min.



THESE DRAWINGS AND SPECIFICATIONS ARE THE PROPERTY OF SHENZHEN YUCHENG ELECTRONICS ,LTD.AND SHALL NOT BE REPRODUCED,COPIED OR USED IN ANY MANNER WITHOUT THE PRIOR WRITTEN CONSENT OF SHENZHEN YUCHENG ELECTRONICS.,LTD

APPROVED: WEI JIE
 CHECKED: HONG JIN YUN
 DRAWING: CHEN YA

UCHENG ELECTRONICS 深圳市裕诚电子有限公司
 SHENZHEN YUCHENG ELECTRONICS CO.,LTD

GENERAL TOLERANCES		TITLE: TACT SWITCH	
30~以上	±0.30	PART NO:	M2-1826D-NO.1
10~30	±0.20	WEBSITE :	www.ycelectron.com
5~10	±0.15	REV: A	UNIT: mm SCALE: / SHEET: A4
~ 5	±0.10		
SHEET: 1 / 1			