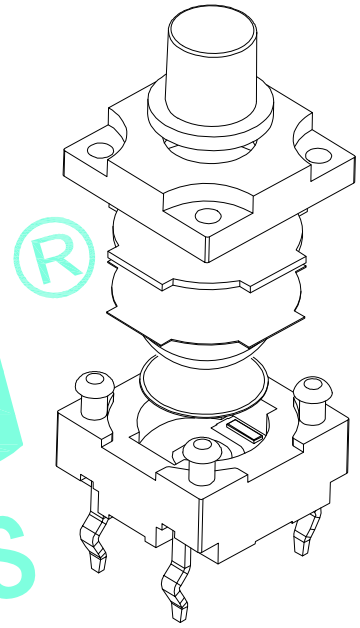
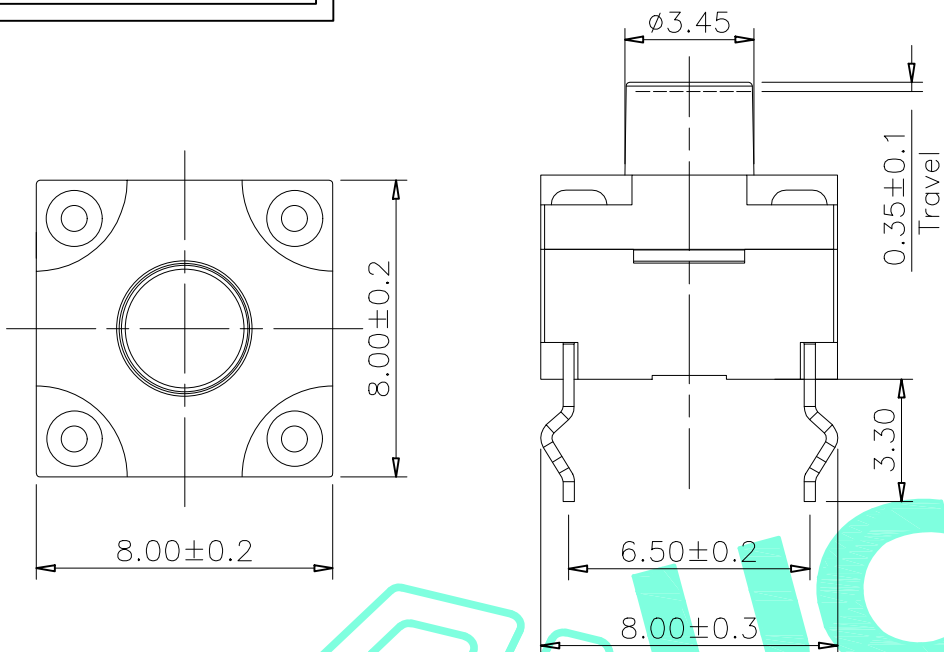


RoHS Compliant

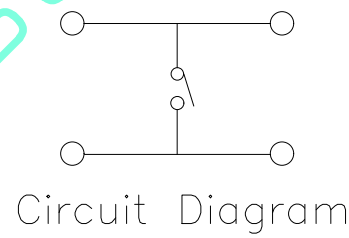
REV.	DESCRIPTION	DESIGN	DATE
A/0	NEW	CFW	



NO.1	
PART NO	H
F	6.5
G	7
H	7.5
I	8
J	8.5
K	9
L	9.5
M	10
N	10.5
O	11
P	11.5
Q	12

NOTE:  
 Rating: DC 12V 50mA  
 Forcel: 250±40gf  
 Life: 100,000 Cycles  
 Waterproof: IEC IP67

ITEM	PART NAME	QTY.	MATERIAL	FINISHING
⑧	Dust Cover	1	PI	Yellow
⑦	Gasket	1	PPA	Black
⑥	Waterproof Silicone	1	Silica gel	Black
⑤	Terminal	4	Brass(0.3t)	Plating silver
④	Contact	1	F.Ag/SUS	
③	Base	1	PPA	Black
②	Cover	1	PPA	Black
①	Keystoke	1	PPA	Black



PCB Layout(Pattern side)

THESE DRAWINGS AND SPECIFICATIONS ARE THE PROPERTY OF SHENZHEN YUCHENG ELECTRONICS.LTD AND SHALL NOT BE REPRODUCED, COPIED OR USED IN ANY MANNER WITHOUT THE PRIOR WRITTEN CONSENT OF SHENZHEN YUCHENG ELECTRONICS.LTD

APPROVED: WEI JIE  
 CHECKED: HONG JIN YUN  
 DRAWING: CHEN YA

**UCHENG** 深圳市裕诚电子有限公司  
 ELECTRONICS SHENZHEN YUCHENG ELECTRONICS CO.,LTD

GENERAL TOLERANCES	TITLE:	TACT SWITCH		
30~以上 ±0.30	PART NO:	M2-1761A-NO.1		
10~30 ±0.20	WEBSITE:	www.ycelectron.com		
5~10 ±0.15	REV: A	UNIT: mm	SCALE: /	SHEET: A4
~ 5 ±0.10	SHEET: 1 / 1			