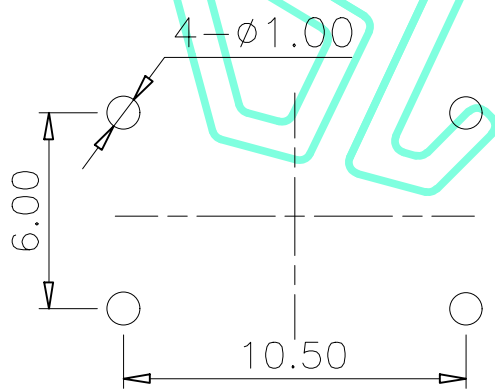
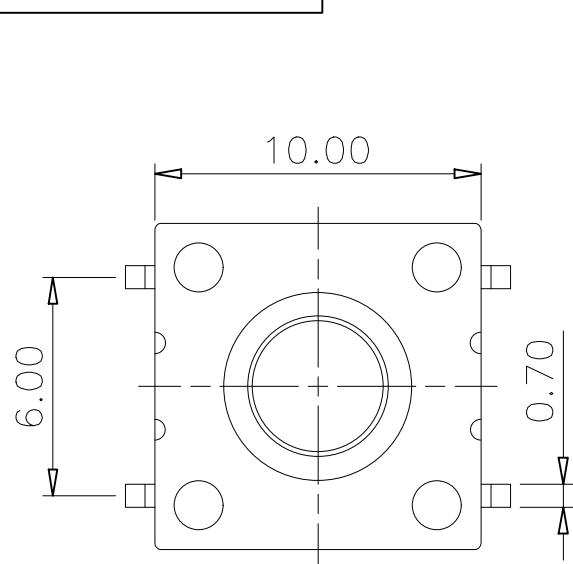
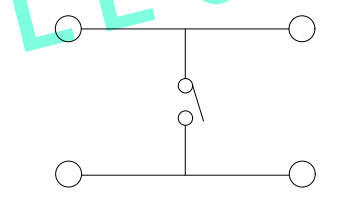
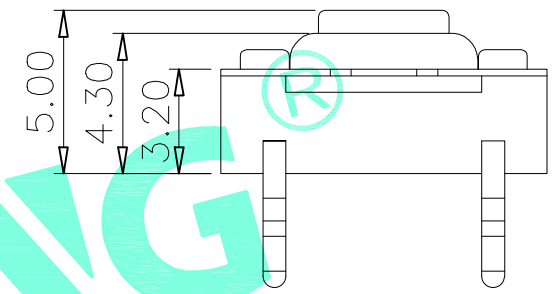
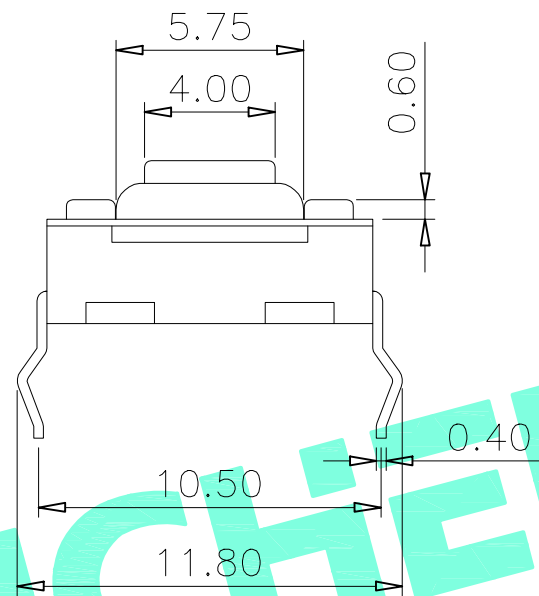


RoHS Compliant

REV. A/0	DESCRIPTION NEW	DESIGN CWF	DATE
-------------	--------------------	---------------	------



PCB Layout(Pattern side)



Circuit Diagram

Typical Specifications :  
 1. Rating : DC 12V 50mA  
 2. Life:100,000 Cycles Min.

NO.1	
PART NO	vigor
4	250±30

ITEM	PART NAME	QTY.	MATERIAL	FINISHING
⑦	Gasket	1	Nylon	——
⑥	Waterproof Silicone	1	Silica gel	——
⑤	Terminal	4	Brass(0.3t)	Plating silver
④	Contact	1	F.Ag/SUS	——
③	Base	1	Nylon	Black
②	Cover	1	SUS	——
①	Keystoke	1	Nylon	Red

THESE DRAWINGS AND SPECIFICATIONS ARE THE PROPERTY OF SHENZHEN YUCHENG ELECTRONICS ,LTD AND SHALL NOT BE REPRODUCED, COPIED OR USED IN ANY MANNER WITHOUT THE PRIOR WRITTEN CONSENT OF SHENZHEN YUCHENG ELECTRONICS ,LTD

APPROVED: WEI JIE  
 CHECKED: HONG JIN YUN  
 DRAWING: CHEN YA

**UCHENG** 深圳市裕诚电子有限公司  
 ELECTRONICS SHENZHEN YUCHENG ELECTRONICS CO.,LTD

GENERAL TOLERANCES	TITLE:	TACT SWITCH		
30~以上 ±0.30	PART NO:	M2-1758P-NO.1		
10~30 ±0.20	WEBSITE :	www.ycelectron.com		
5~10 ±0.15	REV: A	UNIT: mm	SCALE: /	SHEET: A4
~ 5 ±0.10	SHEET: 1 / 1			