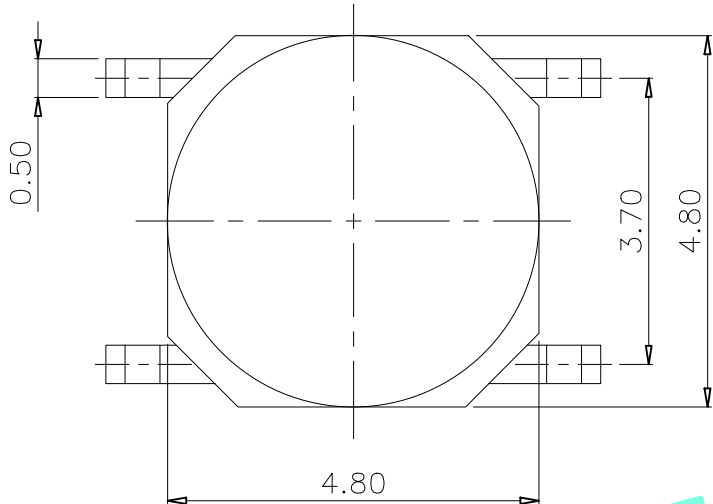
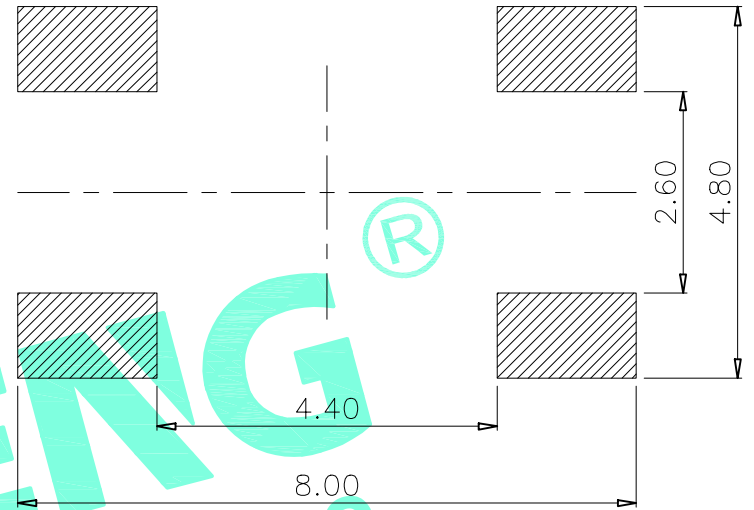


RoHS Compliant

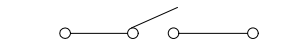
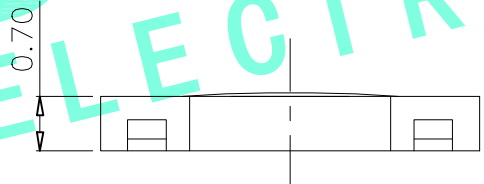
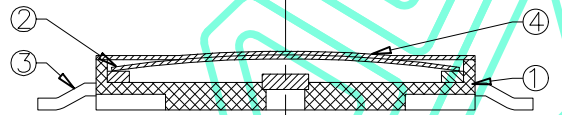
REV. A/0	DESCRIPTION NEW	DESIGN CWF	DATE
-------------	--------------------	---------------	------



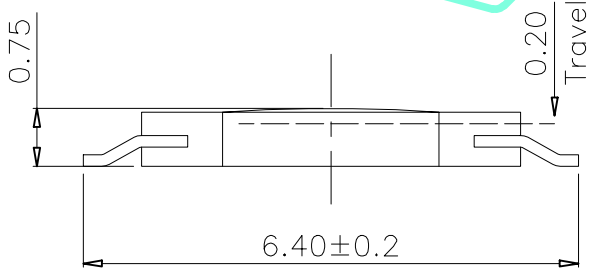
NO.1	
PART NO	vigor
1	90±30
2	130±30
3	180±30
4	250±30
5	350±50



PCB Layout(Pattern side)



Circuit Diagram



④	Dust Cover	1	Kapton Film	Yellow
③	Terminal	4	Phosphor Bronze	Plating silver
②	Contact	1	F.Ag/SUS	Natural
①	Base	1	Nylon	Black
ITEM	PART NAME	QTY.	MATERIAL	FINISHING

THESE DRAWINGS AND SPECIFICATIONS ARE THE PROPERTY OF SHENZHEN YUCHENG ELECTRONICS.,LTD.AND SHALL NOT BE REPRODUCED,COPIED OR USED IN ANY MANNER WITHOUT THE PRIOR WRITTEN CONSENT OF SHENZHEN YUCHENG ELECTRONICS.,LTD

APPROVED: WEI JIE
 CHECKED: HONG JIN YUN
 DRAWING: CHEN YA

UCHENG® 深圳市裕诚电子有限公司
 ELECTRONICS SHENZHEN YUCHENG ELECTRONICS CO.,LTD

GENERAL TOLERANCES		TITLE:	
30~以上	±0.30	TACT SWITCH	
10~30	±0.20	PART NO:	M2-1818P-NO.1
5~10	±0.15	WEBSITE :	www.ycelectron.com
~ 5	±0.10	REV: A	UNIT: mm
SHEET: 1 / 1		SCALE: /	SHEET: A4

