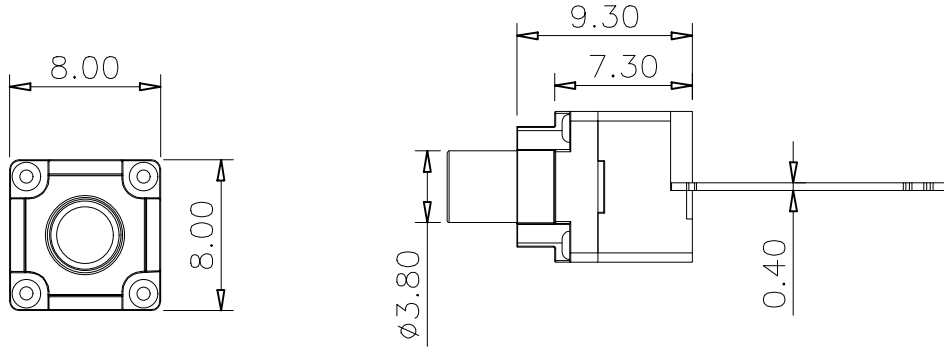
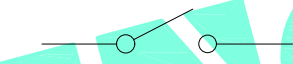
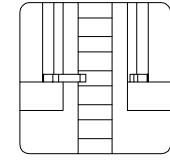


RoHS Compliant

REV. A/0	DESCRIPTION NEW	DESIGN CWF	DATE
----------	-----------------	------------	------



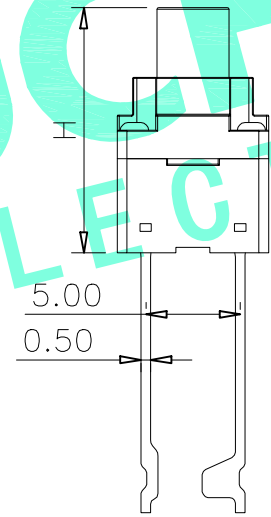
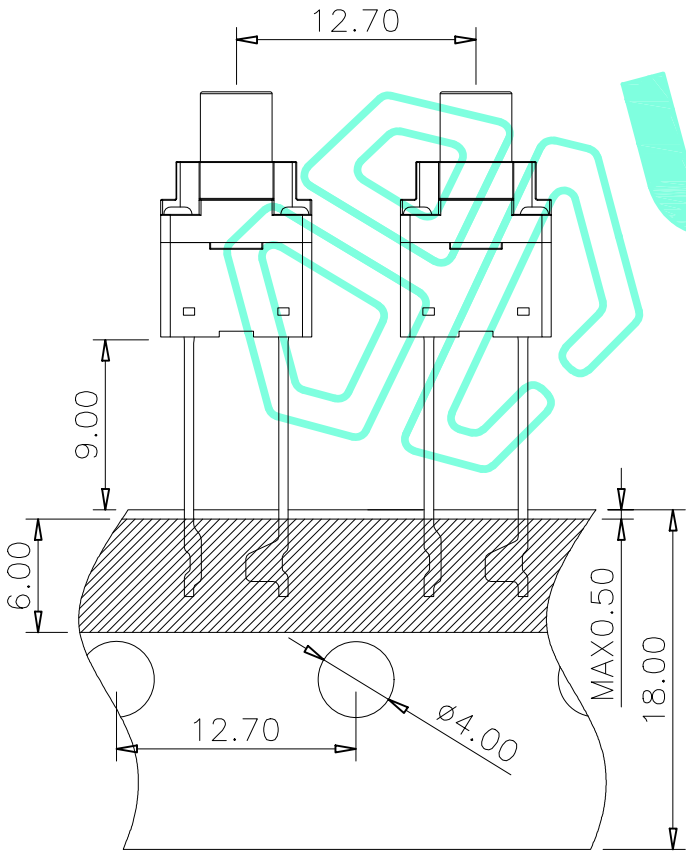
PCB Layout(Pattern side)



Circuit Diagram

NO.1	
PART NO	H
A	12.8
B	13.0
C	15.0

- Typical Specifications
- 1.Rating : DC 12V 50mA
  - 2.Contact Resistance:  $\leq 100m\Omega$
  - 3.Insulation Resistance:  $\geq 100m\Omega$
  - 4.Operating Force:  $250\pm 40gf$
  - 5.Travel:  $0.35\pm 0.1mm$
  - 6.Life : 100,000 Cycles
  - 7.Waterproof level: IP67



ITEM	PART NAME	QTY.	MATERIAL	FINISHING
⑦	Waterproof membrane	1	PI	Yellow
⑥	Waterproof pad	1	Silica gel	Black
⑤	Cover	1	PPA	Black
④	Keystoke	1	PPA	Black
③	Contact	1	F.Ag/SUS	Plating silver
②	Base	1	PPA	Black
①	Terminal	2	Brass(0.4t)	Plating silver

THESE DRAWINGS AND SPECIFICATIONS ARE THE PROPERTY OF SHENZHEN YUCHENG ELECTRONICS.,LTD AND SHALL NOT BE REPRODUCED, COPIED OR USED IN ANY MANNER WITHOUT THE PRIOR WRITTEN CONSENT OF SHENZHEN YUCHENG ELECTRONICS.,LTD

APPROVED: WEI JIE  
 CHECKED: HONG JIN YUN  
 DRAWING: CHEN YA

**UCHENG** ELECTRONICS 深圳市裕诚电子有限公司  
 SHENZHEN YUCHENG ELECTRONICS CO.,LTD

GENERAL TOLERANCES	TITLE:	TACT SWITCH		
30~以上 ±0.30	PART NO:	M2-1762P-NO.1		
10~30 ±0.20	WEBSITE:	www.ycelectron.com		
5~10 ±0.15	REV: A	UNIT: mm	SCALE: /	SHEET: A4
~ 5 ±0.10				
SHEET: 1 / 1				