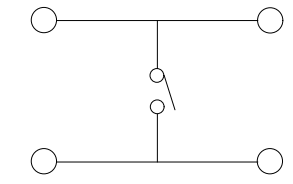
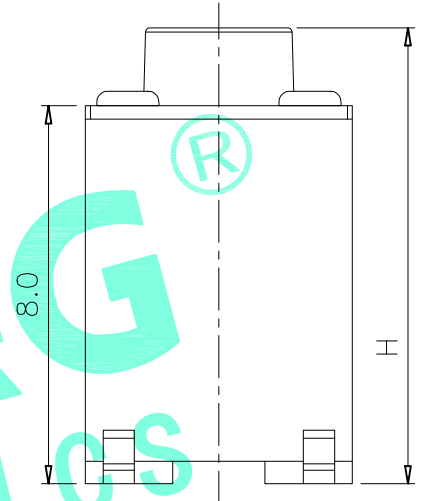
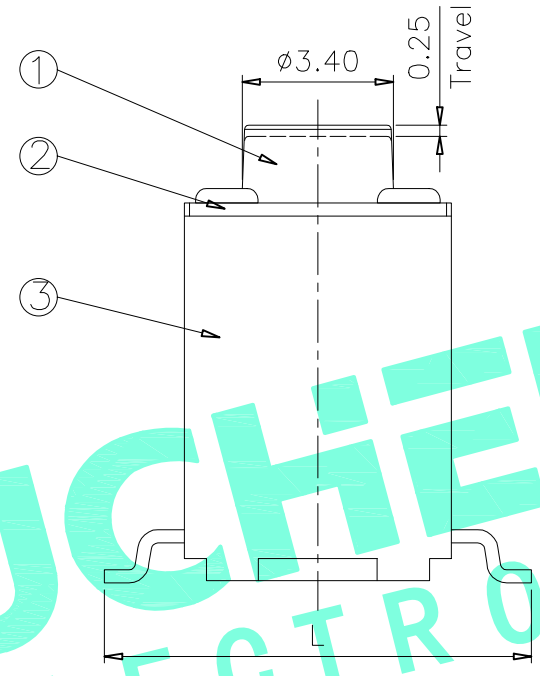
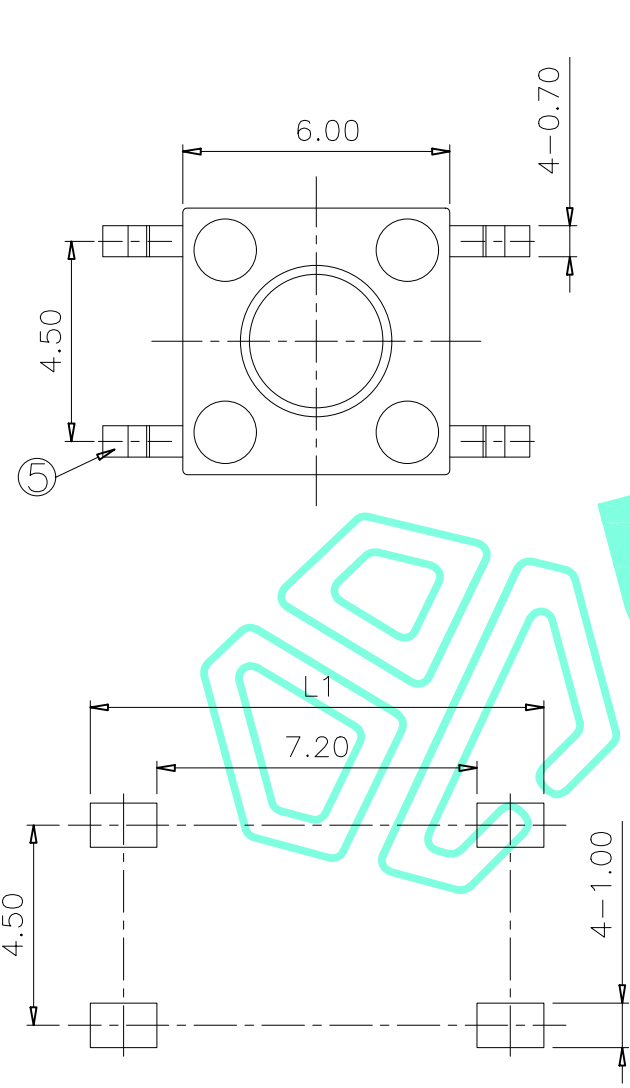


RoHS Compliant

| | | | |
|-------------|--------------------|---------------|------|
| REV. A/0 | DESCRIPTION NEW | DESIGN CWF | DATE |
|-------------|--------------------|---------------|------|



| NO.1 | |
|---------|----|
| PART NO | H |
| O | 11 |
| Q | 12 |
| S | 13 |
| U | 14 |
| V | 15 |
| W | 16 |
| X | 17 |
| Y | 18 |

| NO.2 | |
|---------|--------|
| PART NO | vigor |
| 1 | 90±30 |
| 2 | 130±30 |
| 3 | 180±30 |
| 4 | 250±30 |
| 5 | 350±50 |

| ITEM | PART NAME | QTY. | MATERIAL | FINISHING |
|------|-----------|------|--------------|----------------|
| ⑤ | Terminal | 4 | Brass(0.30t) | Plating silver |
| ④ | Contact | 1 | F.Ag/SUS | — |
| ③ | Base | 1 | Nylon | Black |
| ② | Cover | 1 | Brass | Plating Nickel |
| ① | Keystoke | 1 | Nylon | Black |

THESE DRAWINGS AND SPECIFICATIONS ARE THE PROPERTY OF SHENZHEN YUCHENG ELECTRONICS,LTD.AND SHALL NOT BE REPRODUCED,COPIED OR USED IN ANY MANNER WITHOUT THE PRIOR WRITTEN CONSENT OF SHENZHEN YUCHENG ELECTRONICS,LTD

APPROVED: WEI JIE
 CHECKED: HONG JIN YUN
 DRAWING: CHEN YA

UCHENG 深圳市裕诚电子有限公司
 ELECTRONICS SHENZHEN YUCHENG ELECTRONICS CO.,LTD

| | | |
|--------------------|----------|--------------------|
| GENERAL TOLERANCES | TITLE: | TACT SWITCH |
| 30~以上 ±0.30 | PART NO: | M2-1776P-NO.1/2 |
| 10~30 ±0.20 | WEBSITE: | www.ycelectron.com |
| 5~10 ±0.15 | REV: A | UNIT: mm |
| ~ 5 ±0.10 | SCALE: / | SHEET: A4 |
| SHEET: 1 / 1 | | |

A
B
C
D
E
F
G

A
B
C
D
E
F
G