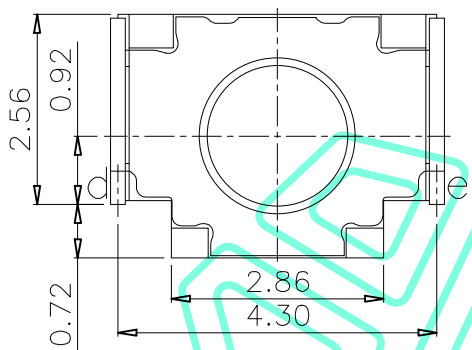
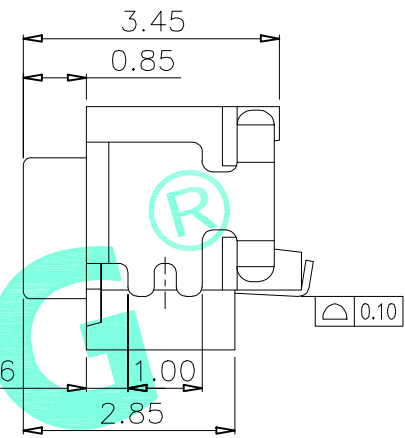
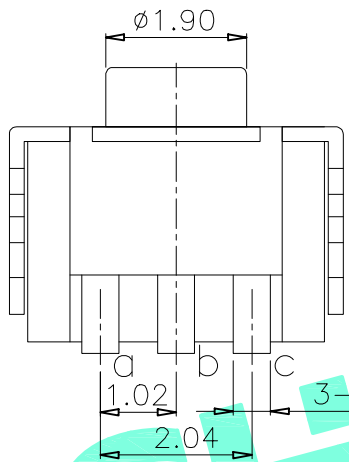
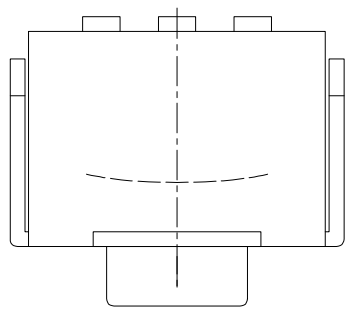


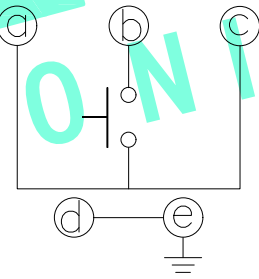
RoHS Compliant

REV. A/0	DESCRIPTION NEW	DESIGN CWF	DATE
-------------	--------------------	---------------	------



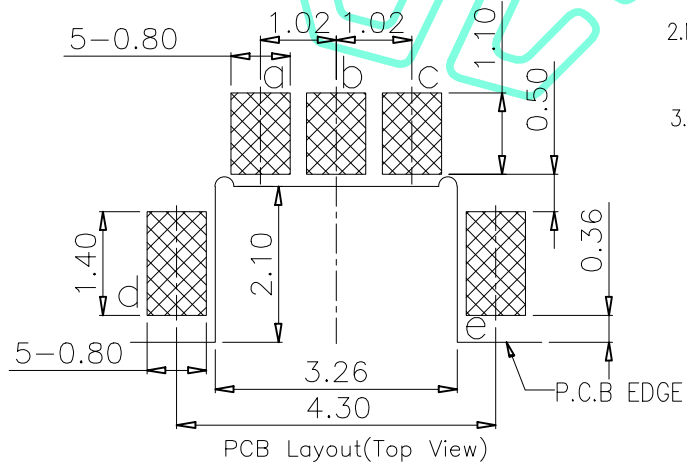
NOTES:

- 1.ELECTICAL CHARACTERISTICS:
  - 1-1.CONTACT CURRENT RATING: 50mA.
  - 1-2.CONTACT VOLTAGE RATING: 12V. DC.
  - 1-3.CONTACT RESISTANCE: 100mΩ MAX.
  - 1-4.DIELECTRIC WITHSTANDING VOLTAGE: 250V. AC.
  - 1-5.INSULATION RESISTANCE: 100 MΩ MIN.
- 2.MECHANICAL CHARACTERISTICS:
  - 2-1.DURABILITY:100,000 CYCLES.
  - 2-2.TRAVEL: 0.45±0.20mm.
- 3.ENVIRONMENT CHARACTERISTICS:
  - 3-1.OPERATING TEMPERATURE: -40°C~+85°C
  - 3-2.HUMIDITY: 45-85% RH.



Circuit Diagram

NO.1	
PART NO	vigor
1	100±30



ITEM	PART NAME	QTY.	MATERIAL	FINISHING
⑤	Terminal	3	Phosphor Bronze	Plating silver
④	Contact	1	SUS	Plating silver
③	Base	1	PPA	Black
②	Cover	1	Phosphor Bronze	Plating silver
①	Knob	1	Silica gel	Black

THESE DRAWINGS AND SPECIFICATIONS ARE THE PROPERTY OF SHENZHEN YUCHENG ELECTRONICS,LTD.AND SHALL NOT BE REPRODUCED,COPIED OR USED IN ANY MANNER WITHOUT THE PRIOR WRITTEN CONSENT OF SHENZHEN YUCHENG ELECTRONICS,LTD

APPROVED: WEI JIE  
 CHECKED: HONG JIN YUN  
 DRAWING: CHEN YA

**UCHENG** 深圳市裕诚电子有限公司  
 ELECTRONICS SHENZHEN YUCHENG ELECTRONICS CO.,LTD

GENERAL TOLERANCES	TITLE:	TACT SWITCH		
30~以上 ±0.30	PART NO:	M2-1771P-NO.1		
10~30 ±0.20	WEBSITE:	www.ycelectron.com		
5~10 ±0.15	REV: A	UNIT: mm	SCALE: /	SHEET: A4
~ 5 ±0.10	SHEET: 1 / 1			