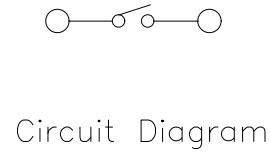
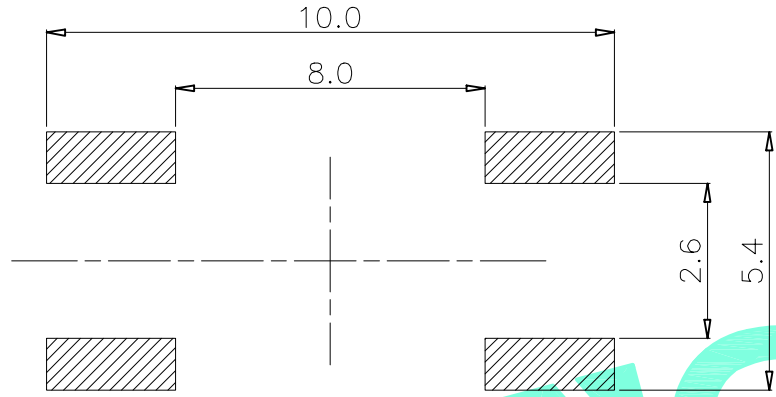


RoHS Compliant

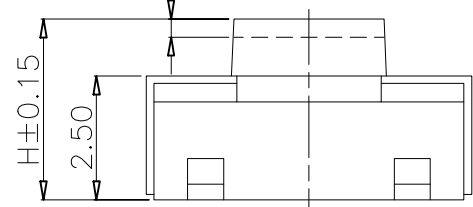
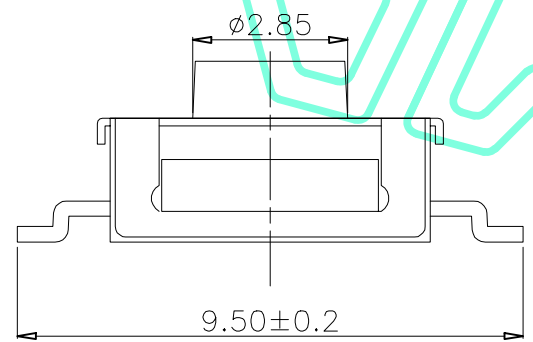
REV. A/0	DESCRIPTION NEW	DESIGN CWF	DATE
----------	-----------------	------------	------



NO.1	
PART NO	H
C	3.1
D	3.5
A	3.8
G	4.3
B	4.5
M	4.8
N	5.2
E	5.5
F	5.0

NO.2	
PART NO	vigor
3	180±30
4	250±30
5	350±50

- Typical Specifications :
1. Rating : DC 12V 50mA
 2. Insulation resistance: ≥100MΩ
 3. Withstand voltage: AC 500V/1min
 4. Life:300,000 Cycles Min.
 5. Ingress protection: IP67



⑤	Terminal	4	Brass	Plating silver
④	Contact	1	F.Ag/SUS	—
③	Base	1	PPA	Black
②	Cover	1	SPCC	Plating Sn
①	Keystoke	1	Silica gel	Blue
ITEM	PART NAME	QTY.	MATERIAL	FINISHING

THESE DRAWINGS AND SPECIFICATIONS ARE THE PROPERTY OF SHENZHEN YUCHENG ELECTRONICS,LTD.AND SHALL NOT BE REPRODUCED,COPIED OR USED IN ANY MANNER WITHOUT THE PRIOR WRITTEN CONSENT OF SHENZHEN YUCHENG ELECTRONICS,LTD

YUCHENG ELECTRONICS 深圳市裕诚电子有限公司
SHENZHEN YUCHENG ELECTRONICS CO.,LTD

APPROVED:	WEI JIE	GENERAL TOLERANCES	TITLE:	TACT SWITCH
CHECKED:	HONG JIN YUN	30~以上 ±0.30	PART NO:	M2-1859D-NO.1/2
DRAWING:	CHEN YA	10~30 ±0.20	WEBSITE:	www.ycelectron.com
		5~10 ±0.15	REV: A	UNIT: mm
		~ 5 ±0.10	SCALE: /	SHEET: A4
		SHEET: 1 / 1		④