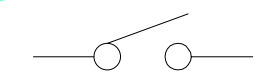
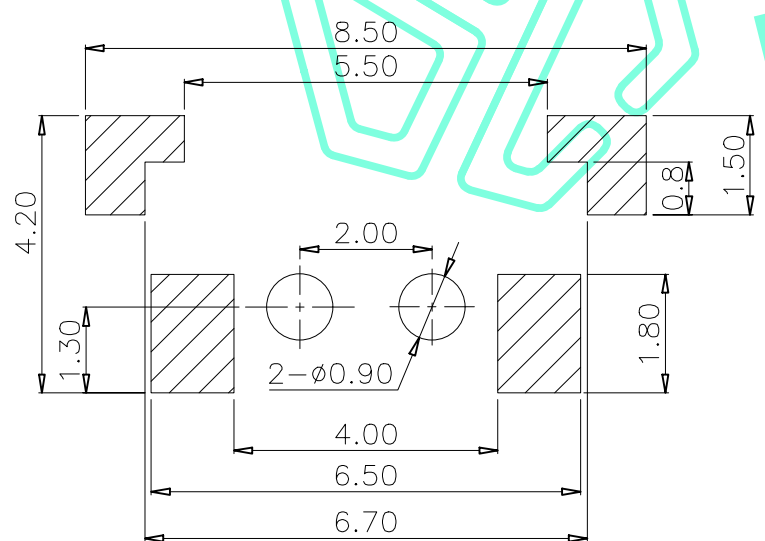
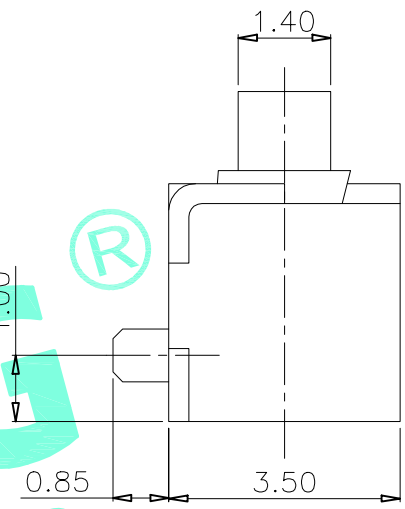
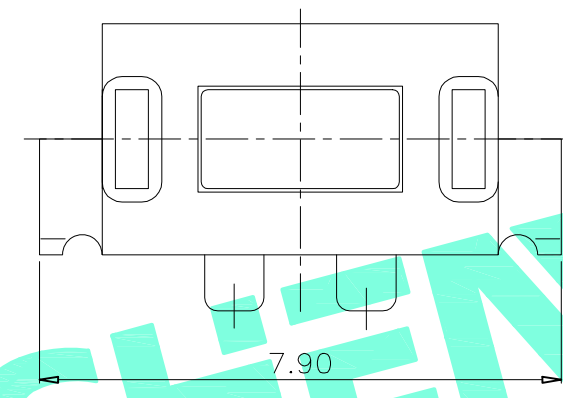
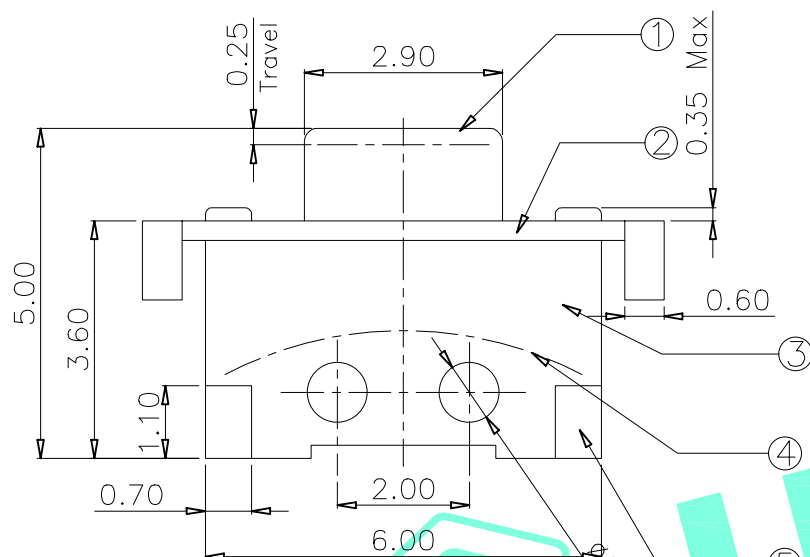


RoHS Compliant

REV. A/0	DESCRIPTION NEW	DESIGN CWF	DATE
----------	-----------------	------------	------



Circuit diagram

NO.1	
PART NO	vigor
1	90±30
2	130±30
3	180±30
4	250±30
5	350±50

PART NO.	
M2-1763AY	M2-1763AW

⑤	Terminal	2	Brass	Plating silver
④	Contact	1	F.Ag/SUS	Natural
③	Base	1	Nylon	Black
②	Cover	1	Copper Alloy	Plating Nickel
①	Keystoke	1	Nylon	White
ITEM	PART NAME	QTY.	MATERIAL	FINISHING

THESE DRAWINGS AND SPECIFICATIONS ARE THE PROPERTY OF SHENZHEN YUCHENG ELECTRONICS,LTD.AND SHALL NOT BE REPRODUCED,COPIED OR USED IN ANY MANNER WITHOUT THE PRIOR WRITTEN CONSENT OF SHENZHEN YUCHENG ELECTRONICS,LTD

APPROVED: WEI JIE
 CHECKED: HONG JIN YUN
 DRAWING: CHEN YA

UCHENG 深圳市裕诚电子有限公司
 ELECTRONICS SHENZHEN YUCHENG ELECTRONICS CO.,LTD

GENERAL TOLERANCES
 30~以上 ±0.30
 10~30 ±0.20
 5~10 ±0.15
 ~ 5 ±0.10

TITLE: TACT SWITCH
 PART NO: M2-1763A-NO.1
 WEBSITE: www.ycelectron.com
 REV: A UNIT: mm SCALE: / SHEET: A4

PCB Layout recommended