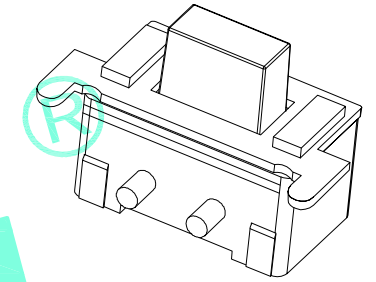
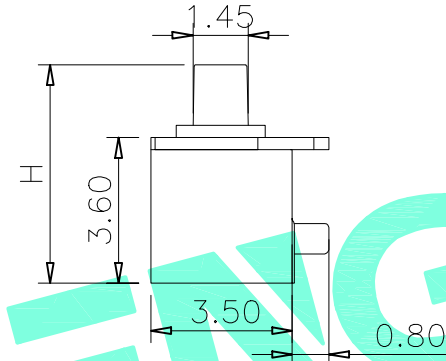
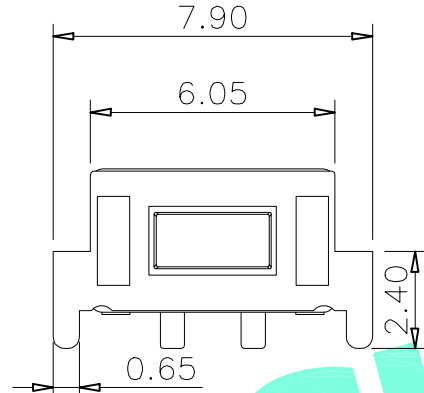
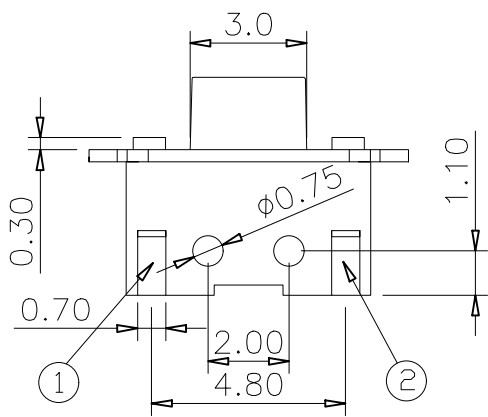


RoHS Compliant

REV. A/0	DESCRIPTION NEW	DESIGN CWF	DATE
----------	-----------------	------------	------

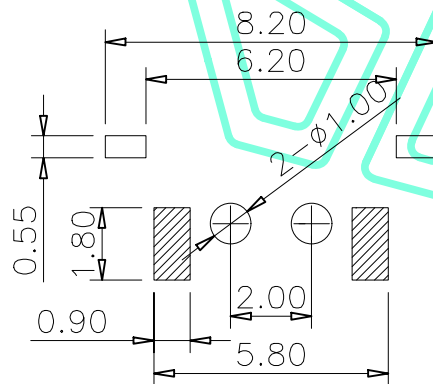


Circuit Diagram

NO.1	
PART NO	H
B	4.3
D	5.0
E	6.0
F	6.3

- Typical Specifications
1. Rating : DC 12V 50mA
 2. Contact Resistance: $\leq 100m\Omega$
 3. Insulation Resistance: $\geq 100m\Omega$
 4. Operating Force: $250 \pm 50gf$
 5. Travel: $0.20 \pm 0.1mm$
 6. Life : 30,000 Cycles

ITEM	PART NAME	QTY.	MATERIAL	FINISHING
⑥	Waterproof pad	1	silica gel	Black
⑤	Cover	1	Brass	Tin Plated
④	Keystoke	1	PPA	White
③	Contact	1	F.Ag/SUS	Plating silver
②	Base	1	PPA	Black
①	Terminal	2	Brass(0.3t)	Plating silver



PCB Layout(Pattern side)

THESE DRAWINGS AND SPECIFICATIONS ARE THE PROPERTY OF SHENZHEN YUCHENG ELECTRONICS.LTD AND SHALL NOT BE REPRODUCED, COPIED OR USED IN ANY MANNER WITHOUT THE PRIOR WRITTEN CONSENT OF SHENZHEN YUCHENG ELECTRONICS.LTD

UCHENG 深圳市裕诚电子有限公司
ELECTRONICS SHENZHEN YUCHENG ELECTRONICS CO.,LTD

APPROVED: WEI JIE
CHECKED: HONG JIN YUN
DRAWING: CHEN YA

GENERAL TOLERANCES	TITLE:	TACT SWITCH		
30~以上 ±0.30	PART NO:	M2-1765P-NO.1		
10~30 ±0.20	WEBSITE:	www.ycelectron.com		
5~10 ±0.15	REV: A	UNIT: mm	SCALE: /	SHEET: A4
~ 5 ±0.10				
SHEET: 1 / 1				