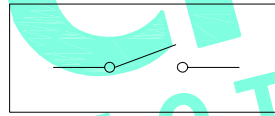
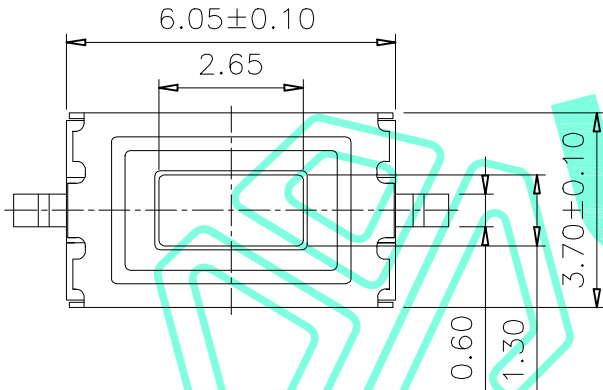
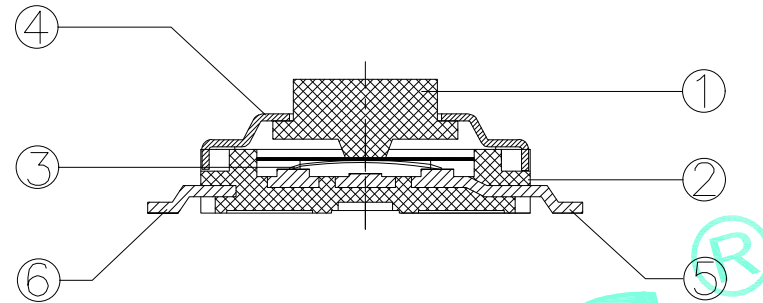
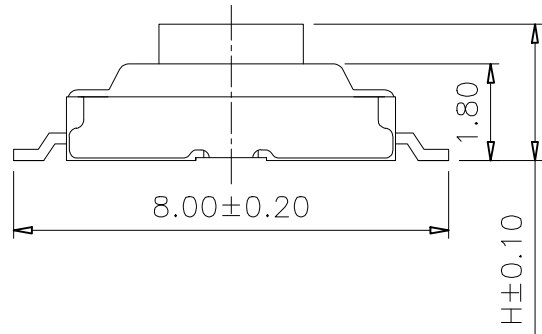


RoHS Compliant

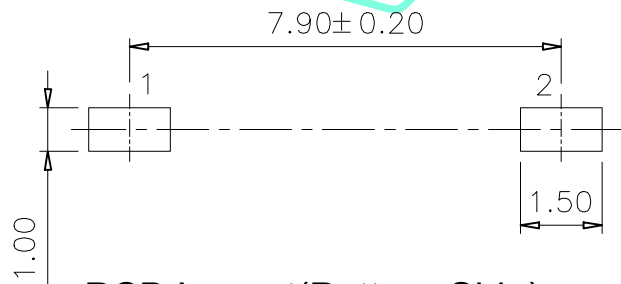
REV. A/0	DESCRIPTION NEW	DESIGN CWF	DATE
-------------	--------------------	---------------	------



Circuit Diagram

NO.1	
PART NO	H
A	2.5
B	2.7

NO.2	
PART NO	vigor
1	90±30
2	130±30
3	180±30
4	250±30
5	350±50



PCB Layout(Pattern Side)

ITEM	PART NAME	QTY.	MATERIAL	FINISHING
⑥	TERMINAL 2	1	Brass(0.20t)	Ag-PLATED
⑤	TERMINAL 1	1	Brass(0.20t)	Ag-PLATED
④	Cover	1	Stainless Steel	Plating Nickel
③	Contact	2	Stainless Steel	Ag-PLATED
②	Base	1	PA6T	Black
①	Keystoke	1	PPA	White

THESE DRAWINGS AND SPECIFICATIONS ARE THE PROPERTY OF SHENZHEN YUCHENG ELECTRONICS,LTD AND SHALL NOT BE REPRODUCED,COPIED OR USED IN ANY MANNER WITHOUT THE PRIOR WRITTEN CONSENT OF SHENZHEN YUCHENG ELECTRONICS.,LTD

YUCHENG ELECTRONICS 深圳市裕诚电子有限公司
SHENZHEN YUCHENG ELECTRONICS CO.,LTD

APPROVED:	WEI JIE	GENERAL TOLERANCES	TITLE:	TACT SWITCH
CHECKED:	HONG JIN YUN	30~以上 ±0.30	PART NO:	M2-1888D-NO.1/2
DRAWING:	CHEN YA	10~30 ±0.20	WEBSITE:	www.ycelectron.com
		5~10 ±0.15	REV: A	UNIT: mm
		~ 5 ±0.10	SCALE: /	SHEET: A4
		SHEET: 1 / 1		